

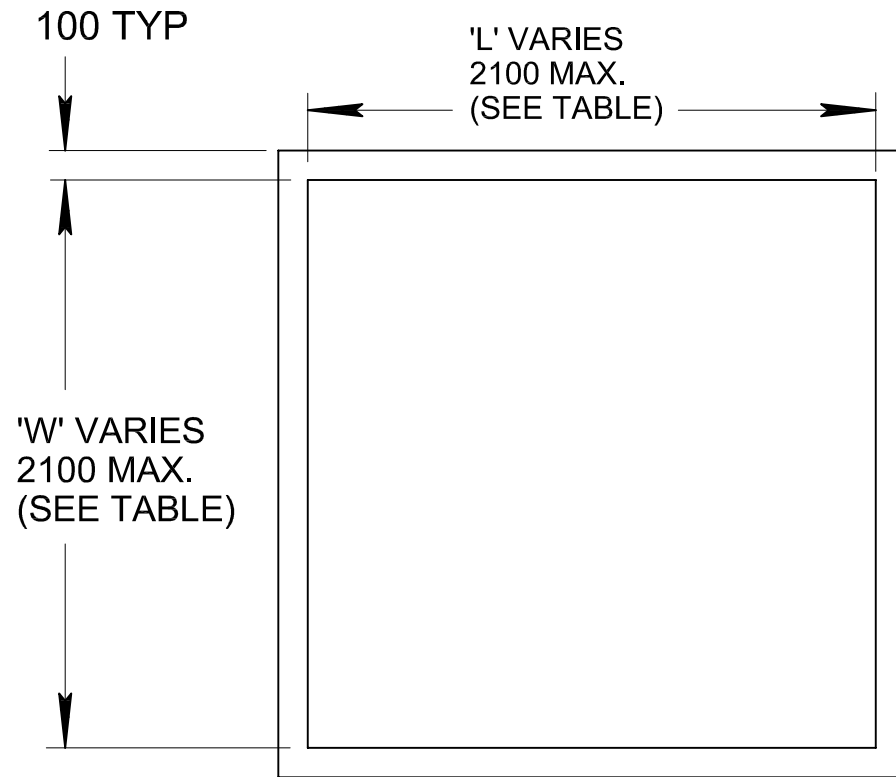
# NOTES

1. CONCRETE STRENGTH TO BE 50 MPa
2. ALL DIMENSIONS IN MILLIMETRES U.N.O.
3. DRWGS ARE NOT TO SCALE
4. REINFORCEMENT IN ACCORDANCE WITH AS4671 AND AUS PITS COMPUTATIONS
5. STEP IRONS JFH255 OR EQUIVALENT ARE TO BE INSTALLED TO PROJECT REQUIREMENTS
6. FOR PIT SIZES AVAILABLE, PLEASE REFER TO TABLE OF PIT SIZES IN THE AUS PITS CATALOGUE
7. WHERE A SUBSOIL DRAIN IS DISCHARGED INTO A PIT, THE OUTLET OF THE SUBSOIL DRAIN SHALL BE LOCATED ABOVE THE OBVERT OF THE PIPES / CULVERTS UNLESS OTHERWISE APPROVED.
8. GRATES & FRAMES TO BE HOT DIPPED GALVANISED & COMPLY WITH AS3996. GRATES TO BE HINGED & HAVE A POSITIVE MECHANICAL RETAINER TO SECUTE THEM IN PLACE WHEN IN THE OPEN POSITION.

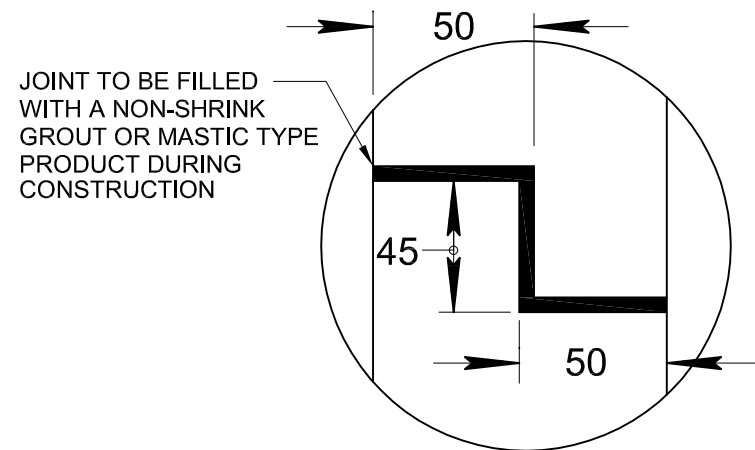
TABLE OF COMMON PIT SIZES

QDMR DWG	LENGTH 'L'	WIDTH 'W'
SD1311	930	835
SD1312		
SD1459		
SD1442 (SIDE INLET)	900	700
SD1445		
SD1442 (GRATED INLET)	900	600

OTHER SIZES AVAILABLE ON REQUEST. (SEE NOTE 6)  
CONTACT AUS PITS HEAD OFFICE PH (02) 6672 5411 FOR PIT SIZES NOT SHOWN IN TABLE.

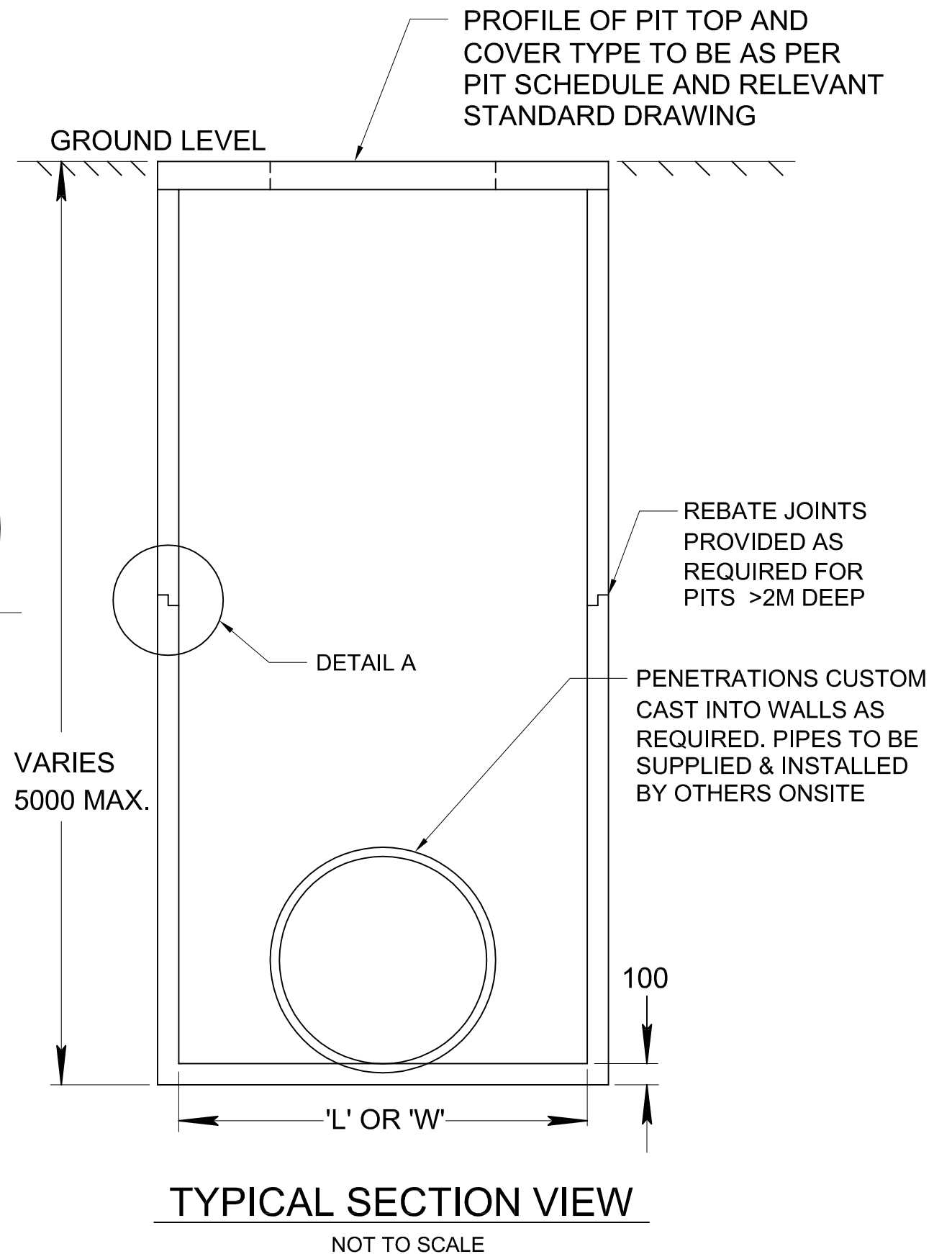


TYPICAL PLAN VIEW  
NOT TO SCALE



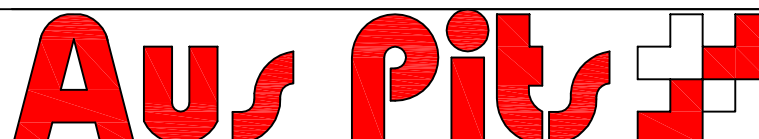
DETAIL A  
NOT TO SCALE

PRECAST CONCRETE PIT WITH 100mm THICK WALLS & BASE



TYPICAL SECTION VIEW  
NOT TO SCALE

REVISION	DATE	DETAILS	INITIALS
	NOV 09	INITIAL DESIGN	



STANDARD DRAWING			
AUS PITS GULLY PITS TO SUIT QDMR TYPICAL DETAILS			
DRAWN BY: G.J.F.	APPROVED: P. MOULTON	DRG NO: AP-SD-SW-010	REV: 0