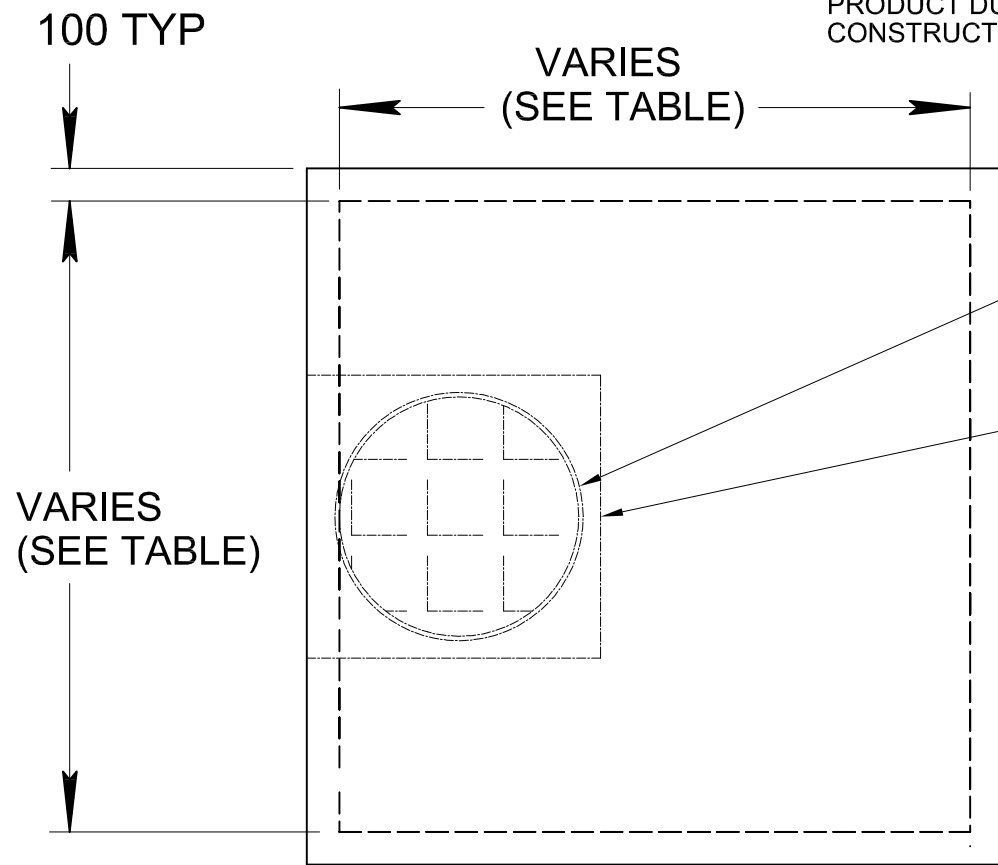


NOTES

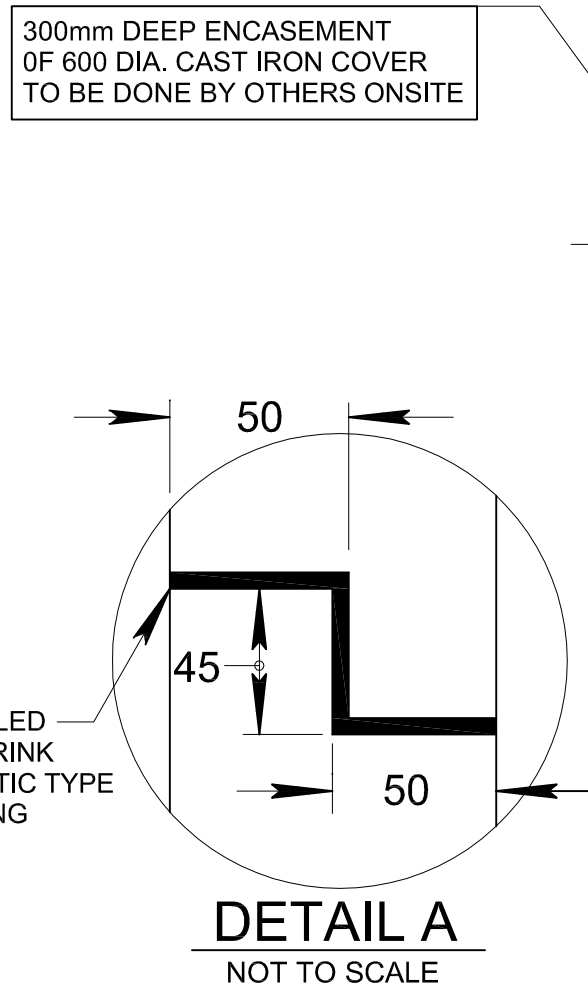
1. CONCRETE STRENGTH TO BE 50 MPa
2. ALL DIMENSIONS IN MILLIMETRES U.N.O.
3. DRWGS ARE NOT TO SCALE
4. REINFORCEMENT IN ACCORDANCE WITH AS4671 AND AUS PITS COMPUTATIONS
5. STEP IRONS JFH255 OR EQUIVALENT ARE TO BE INSTALLED TO PROJECT REQUIREMENTS
6. FOR PIT SIZES AVAILABLE, PLEASE REFER TO TABLE OF PIT SIZES IN THE AUS PITS CATALOGUE

MANHOLE SIZE	AUS PITS EQUIVALENT PIT SIZE
1050 DIA	1050 X 1050*
1200 DIA	1200 X 1200*
1500 DIA	1500 X 1500*
1800 DIA	1800 X 1800*
2100 DIA	2100 X 2100*

* RECTANGULAR PITS MAY BE USED TO SUIT INDIVIDUAL PIT REQUIREMENTS. WHERE THIS OCCURS, CLIENT WILL BE ADVISED OF PIT SIZE TO BE USED.

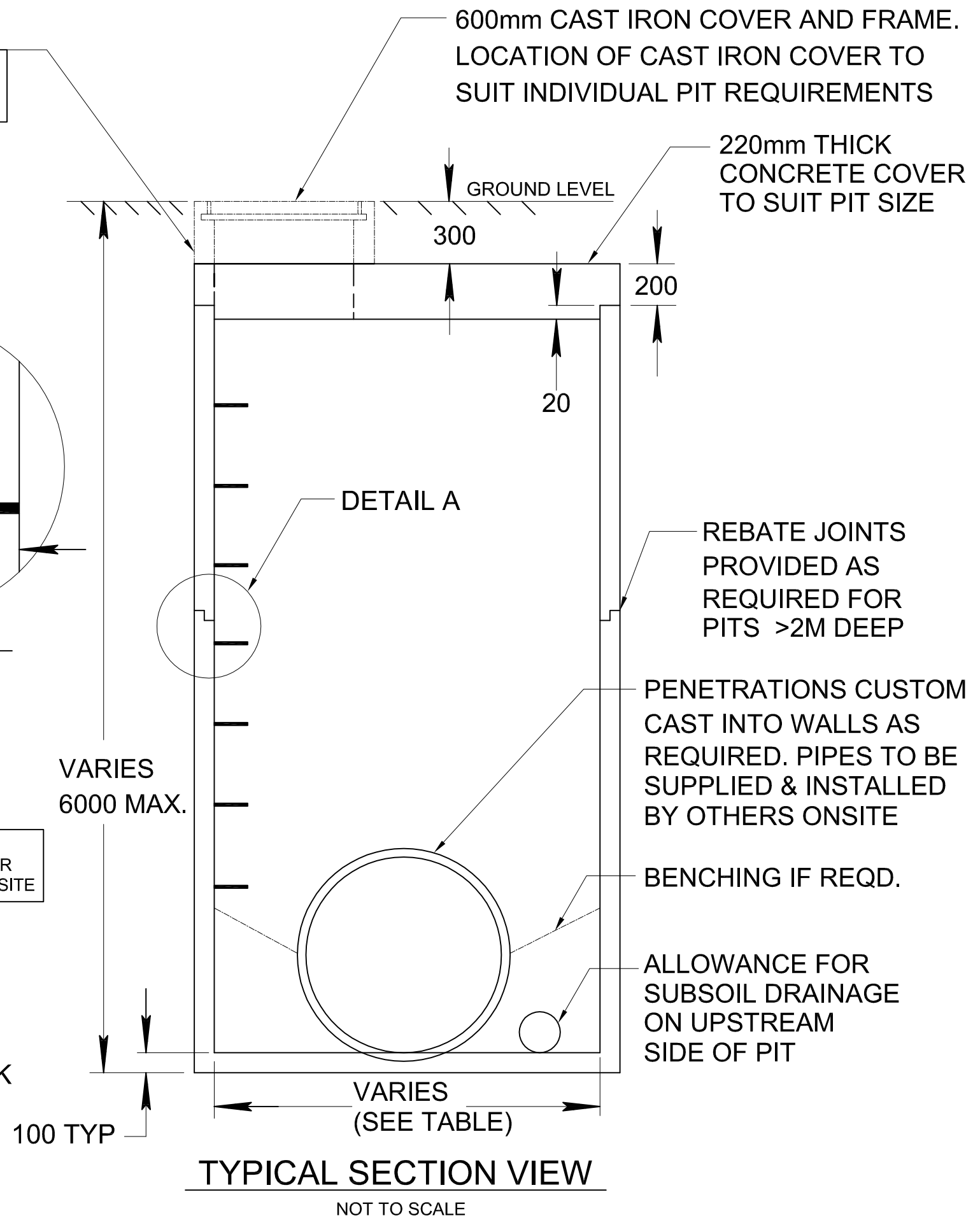


TYPICAL PLAN VIEW
NOT TO SCALE

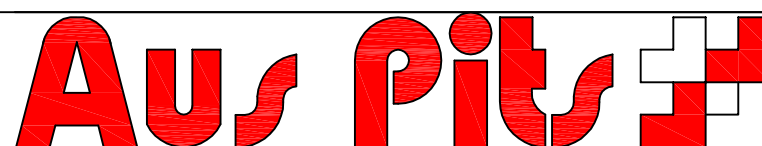


JOINT TO BE FILLED WITH A NON-SHRINK GROUT OR MASTIC TYPE PRODUCT DURING CONSTRUCTION

DETAIL A
NOT TO SCALE



TYPICAL SECTION VIEW
NOT TO SCALE



REVISION	DATE	INITIALS	DETAILS
	NOV 09		INITIAL DESIGN

STANDARD DRAWING			
AUS PITS MANHOLE PIT			
TYPICAL DETAILS			
DRAWN BY: G.J.F.	APPROVED: P. MOULTON	DRG NO: AP-SD-SW-008	REV: 0