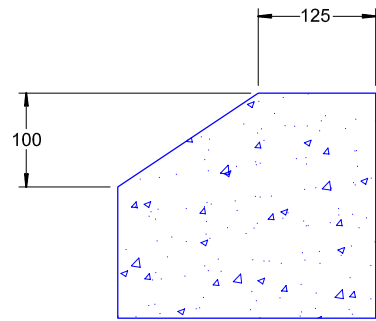
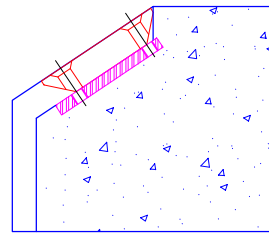


NOTES

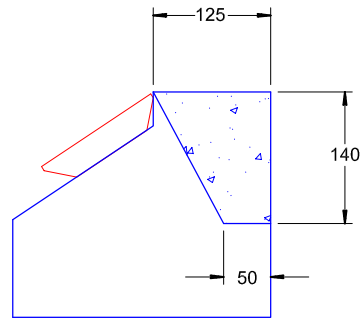
1. CONCRETE STRENGTH 40MPa. MIN.
2. REINFORCEMENT HAS NOT BEEN SHOWN FOR CLARITY.
3. ALL REINFORCEMENT IS TO BE AS PER AS4671 & AUS PITS COMPUTATIONS
4. ALL DIMENSIONS ARE IN MILLIMETRES
5. GALVANIZED STEEL GRILL IN ACCORDANCE WITH RTA DWG MD.R11.B12.A
SECURE WITH (4) M14 X 35 LG. GALV. C/SINK HD SCREWS
6. PROVIDE (2) 1.3T SWIFTLIFT ANCHOR POINTS
7. TAPPING PLATES (2) STEEL GRADE 250 MIN.
HOT DIP GALVANIZED TO AS / 4680:2002



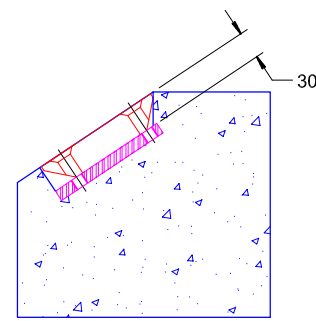
SECTION D-D



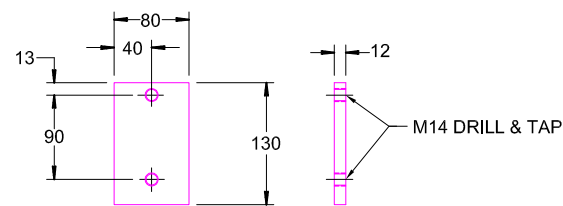
SECTION C-C



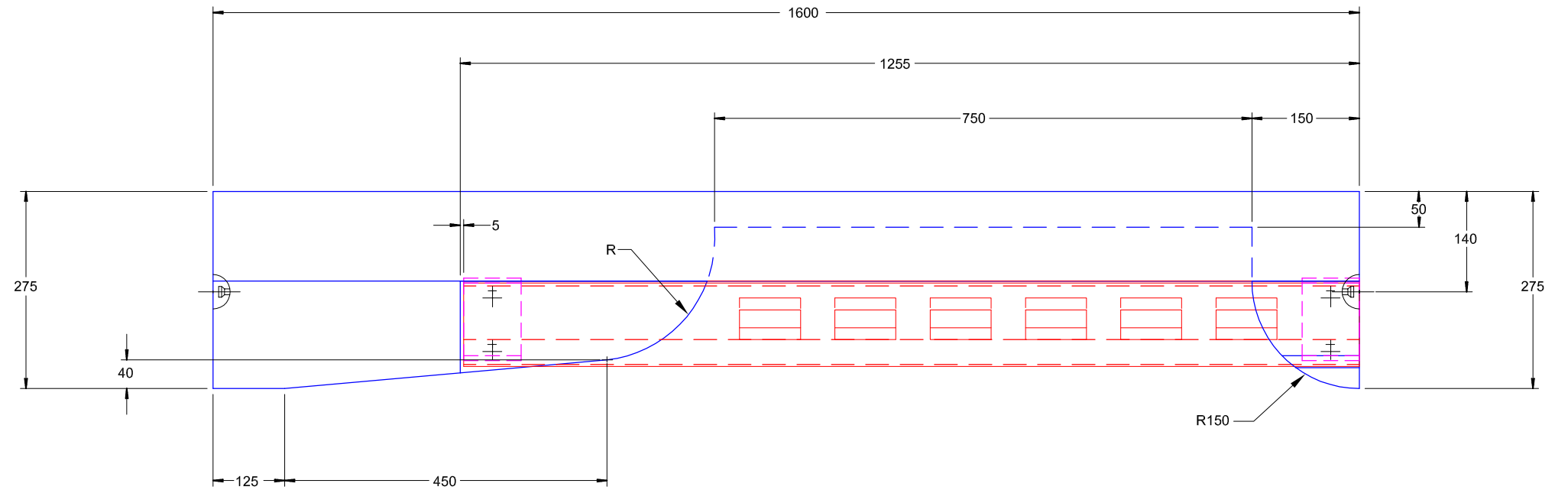
SECTION B-B



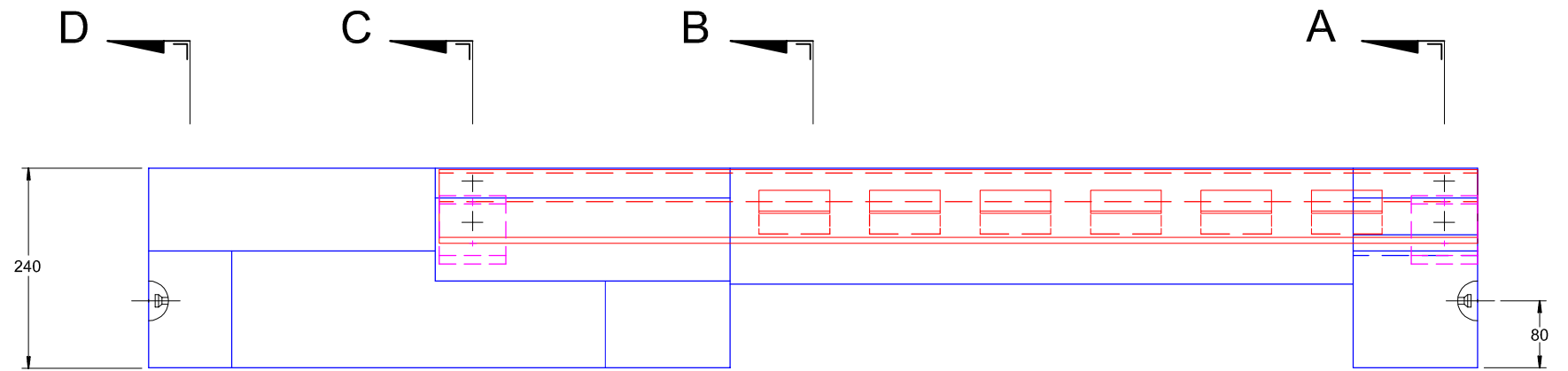
SECTION A-A



TAPPING PLATE



PLAN VIEW



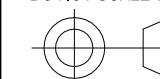
FRONT ELEVATION

NOTE! L/H LINTEL UNIT SHOWN
R/H LINTEL UNIT SYM OPP

REVISION	DATE	DETAILS	INITIALS
	DEC 2010	INITIAL DESIGN	

Aus Pits

DO NOT SCALE THIS DWG



THIRD ANGLE PROJECTION

STANDARD DRAWING

LINTEL FOR RTA 'SF' STD. GULLY PITS

TYPICAL DETAILS

DRAWN BY: G.J.F. APPROVED BY: P. MOUTON DRG NO: AP-SD-C-026 REV: 0