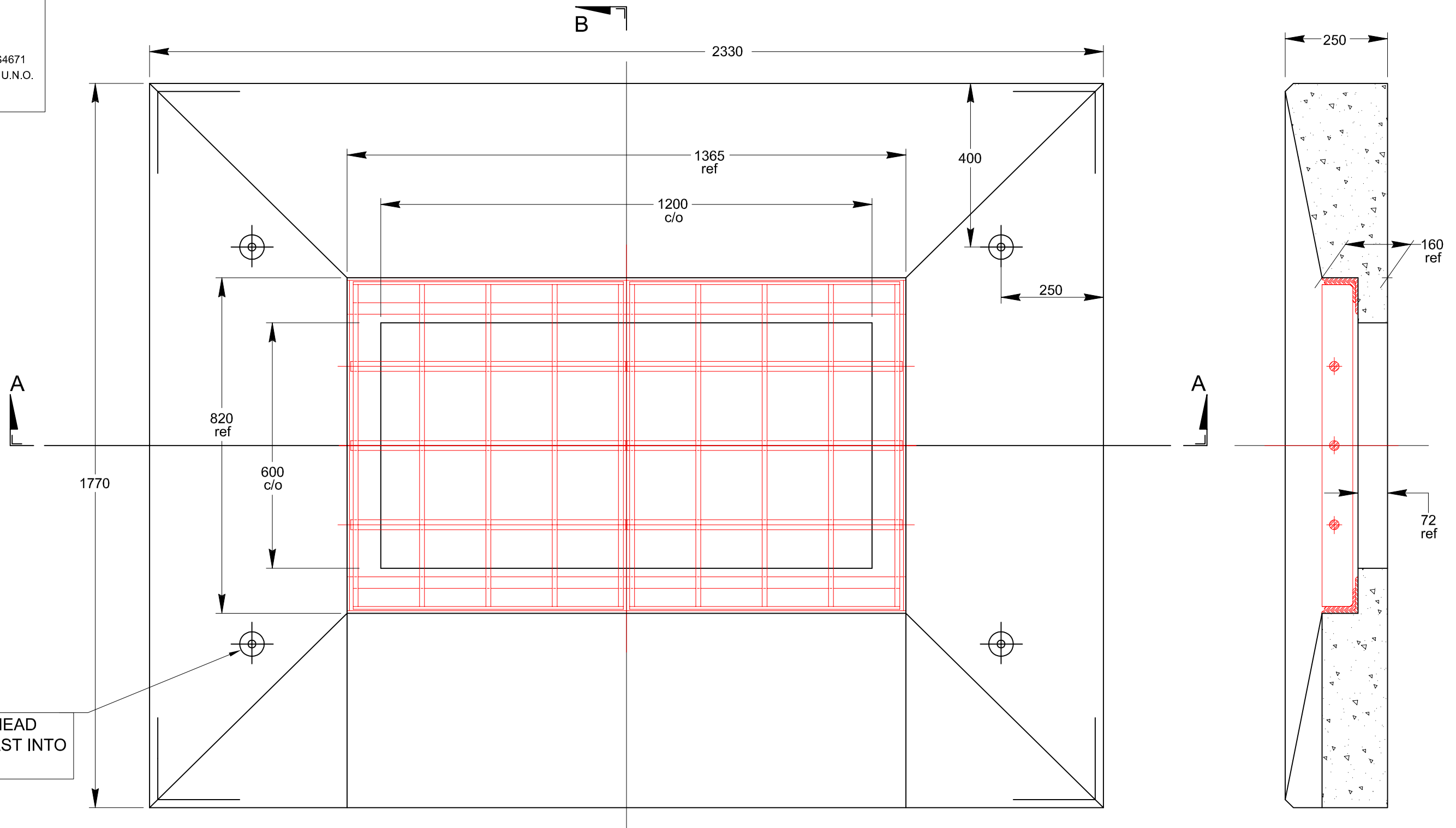


NOTES

1. CONCRETE STRENGTH TO BE 50 MPa
2. REINFORCEMENT TO COMPLY WITH AS4671
3. ALL DIMENSIONS ARE IN MILLIMETRES U.N.O.
4. DRAWINGS ARE NOT TO SCALE



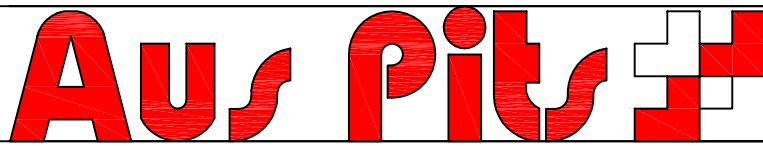
2.5 TONNE MUSHROOM HEAD
'SWIFTLIFT' ANCHOR. CAST INTO
APRON (4) PLCS

CAST IN DMDG GALV.
GRATE & FRAME INTO APRON
REFER RTA DWG. MD.R11.B33.A.1

CHAMFER EDGES
ALL AROUND 20 X 20

DWG. DO NOT SCALE

REVISION	DATE	INITIALS	DETAILS
	NOV 09		INITIAL DESIGN



STANDARD DRAWING			
AUS PITS DMDG APRON			
TYPICAL DETAILS			
DRAWN BY: G.J.F.	APPROVED BY: P. MOULTON	DRG NO: AP-SD-C-025	REV: 0