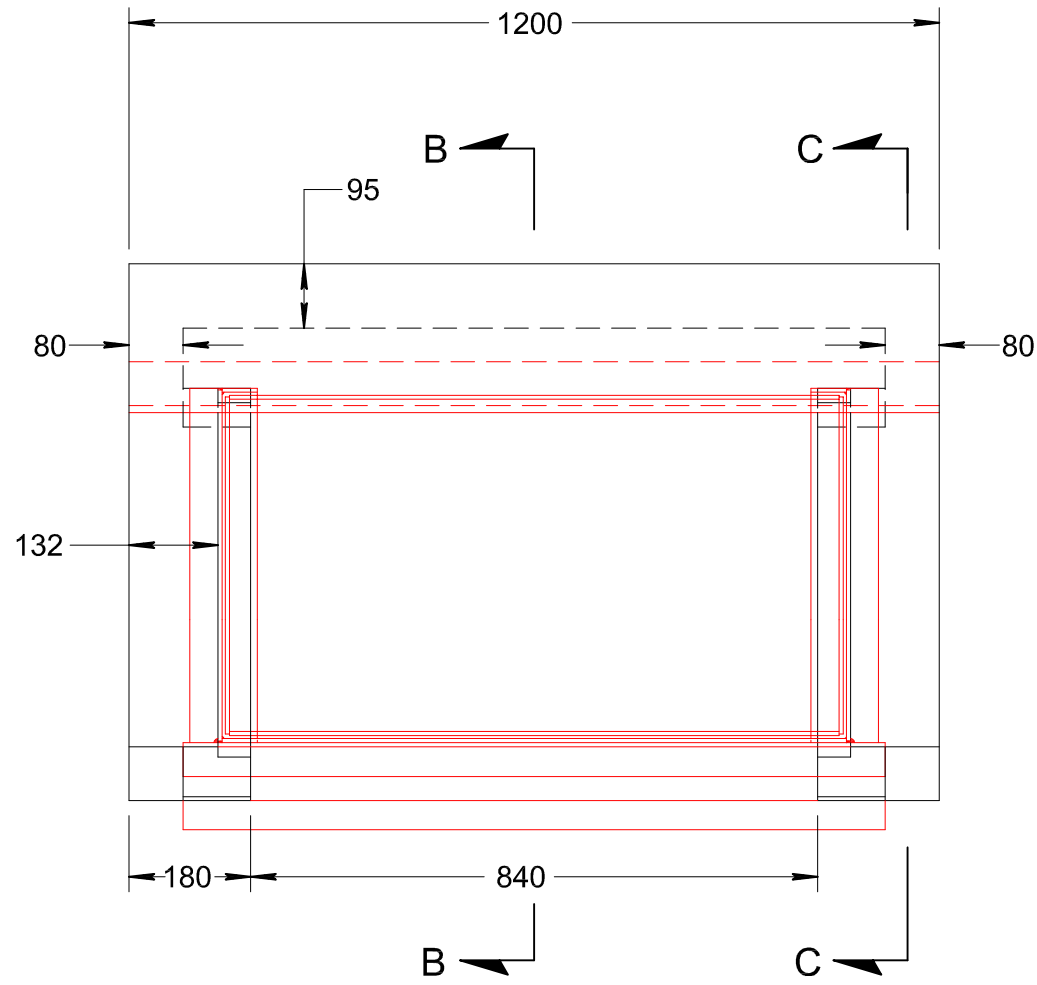
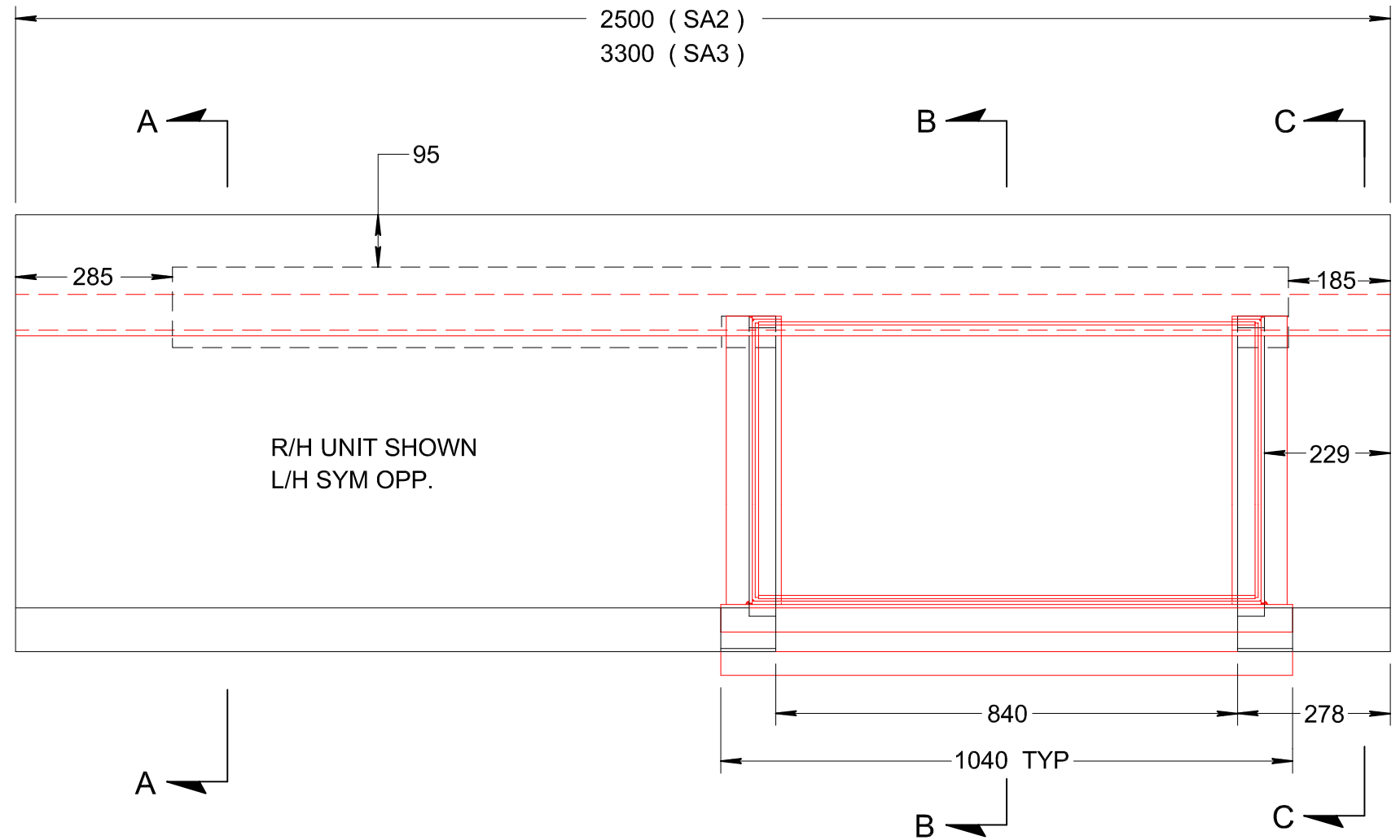


**NOTES**

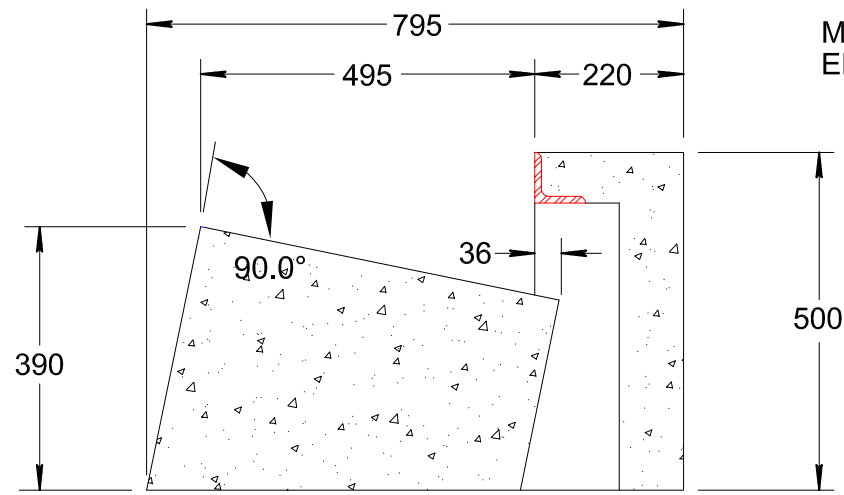
1. CONCRETE STRENGTH 50MPa.
2. REINFORCEMENT HAS NOT BEEN SHOWN FOR CLARITY. TO BE IN ACCORDANCE WITH RTA STANDARD DRWG. MD.R11.B03.A.1.
3. REINFORCEMENT TO COMPLY TO AS4671.
4. ALL DIMENSIONS ARE IN MILLIMETRES U.N.O.
5. DO NOT SCALE THIS DWG.



**SA1 CURB UNIT PLAN VIEW**



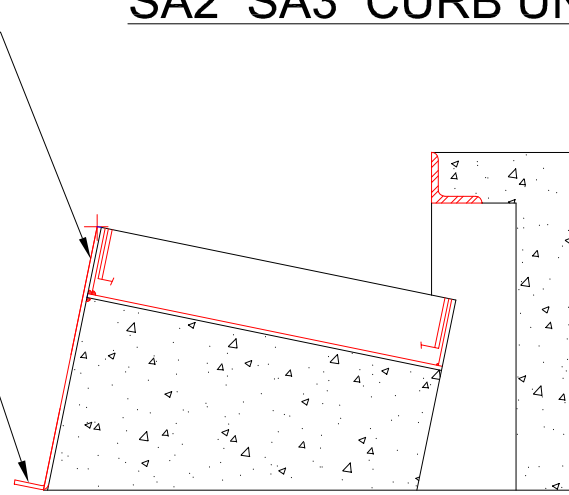
**SA2 SA3 CURB UNIT PLAN VIEW**



**SECTION A-A**

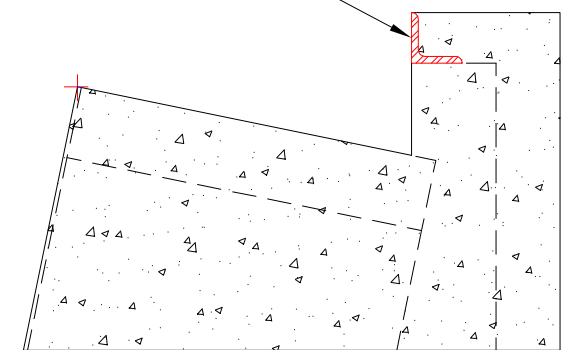
MODIFIED 'SA' GRATE & FRAME ENCASED INTO UNIT

6mm GALVANIZED PLATE WELDED TO FRAME



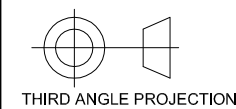
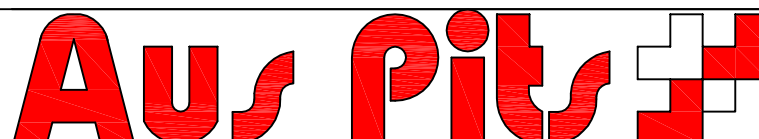
**SECTION B-B**

75 X 10 X 10 GALVANIZED ANGLE IRON CAST INTO UNIT



**SECTION C-C**

REVISION	DATE	DETAILS	INITIALS
	JUN 2010	REVD & REDRAWN	



STANDARD DRAWING 'SA' TYPE CURB UNITS FOR USE WITH PAVEMENT MACHINES TYPICAL DETAILS			
DRAWN BY: G.J.F.	APPROVED BY: P. MOULTON	DRG NO: AP-SD-C-022	REV: 0