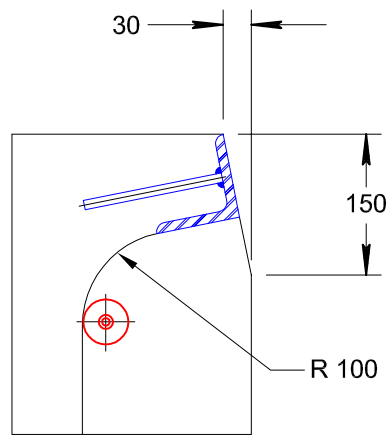
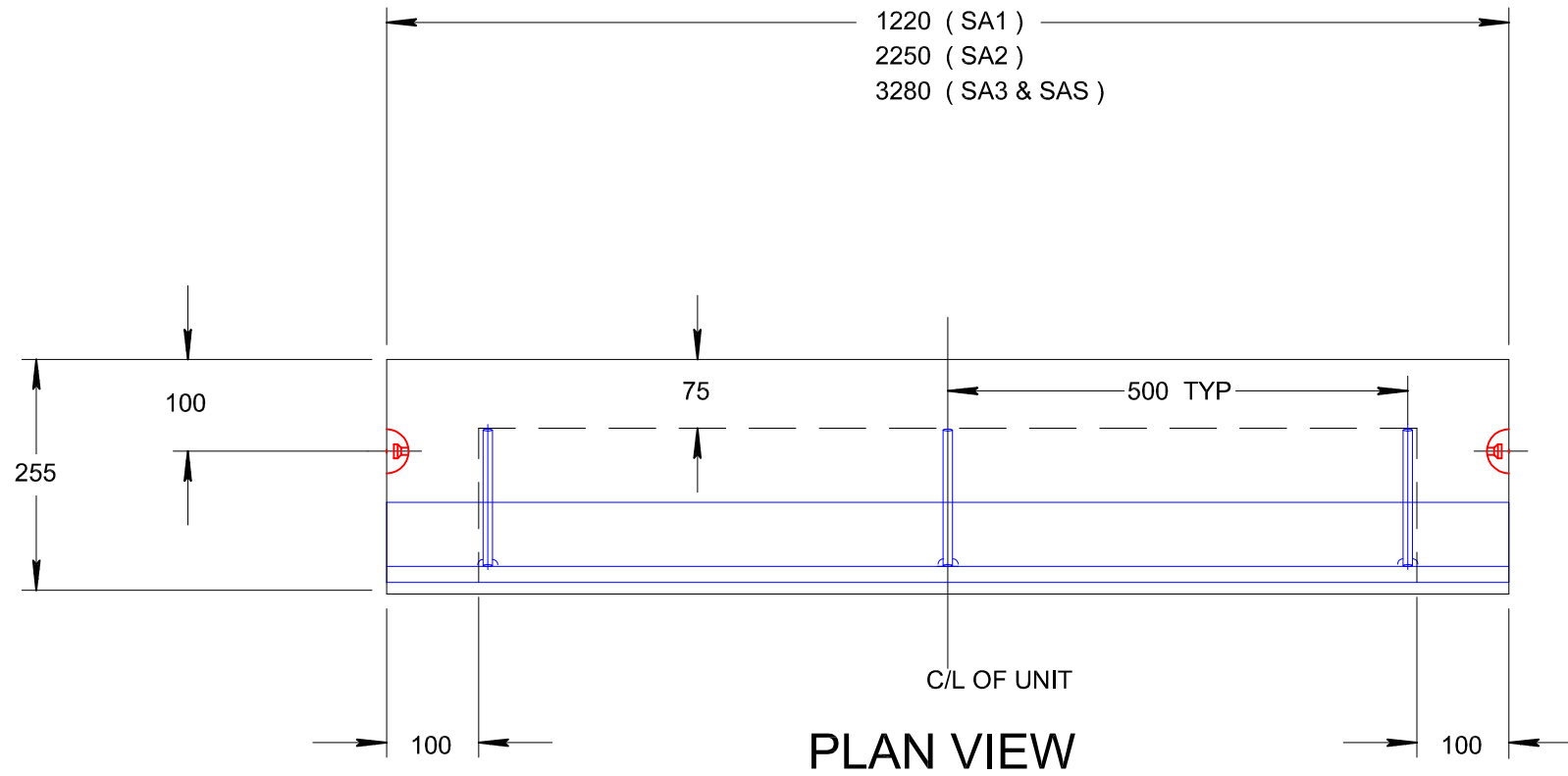
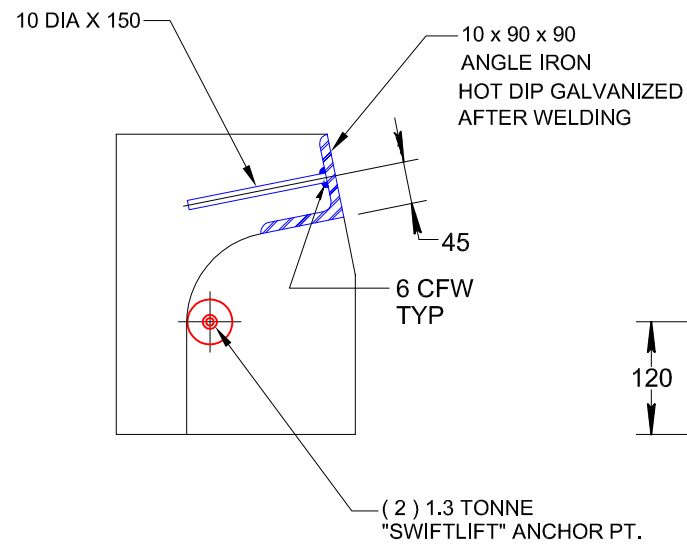


NOTES

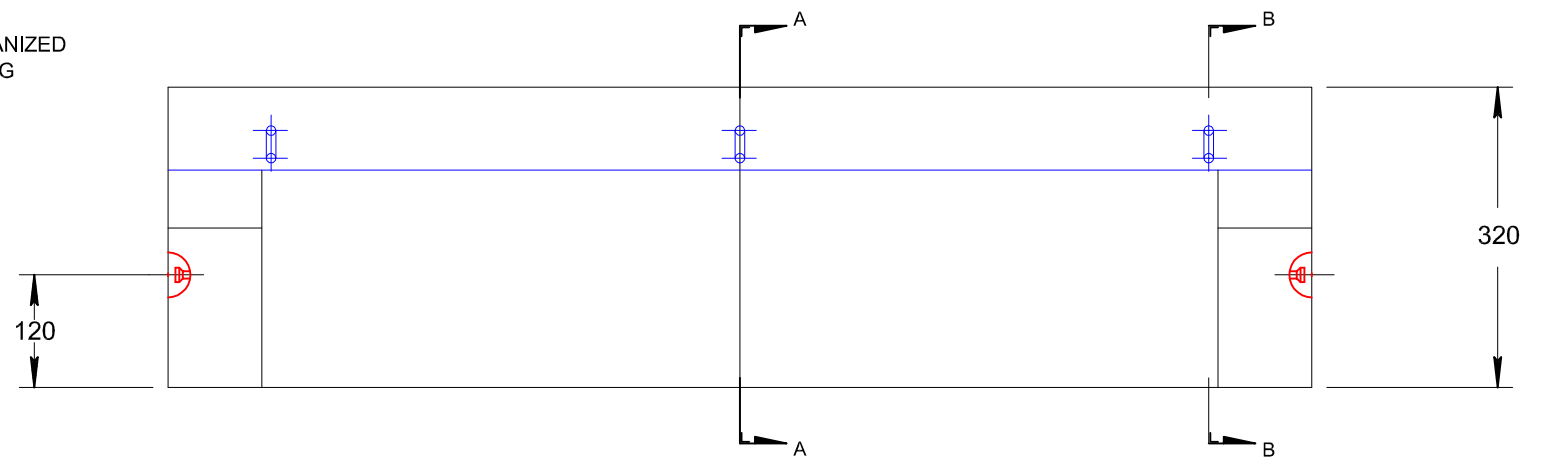
1. CONCRETE STRENGTH 50MPa.
2. REINFORCEMENT HAS NOT BEEN SHOWN FOR CLARITY.
3. ALL REINFORCEMENT IS TO BE AS PER RTA STANDARD DWG. MD.R11.B03.A.1.
4. ALL DIMENSIONS ARE IN MILLIMETRES
5. DO NOT SCALE THIS DWG.
6. ALL DIMENSIONS ARE TO BE AS PER RTA STANDARD DWG. MD.R1.B03.A.1.



SECTION A-A



SECTION B-B



FRONT ELEVATION

REVISION	DATE	DETAILS	INITIALS
	NOV 09	INITIAL DESIGN	
	JUN 2010	REVD & REDRAWN	

Aus Pits

STANDARD DRAWING			
LINTELS FOR RTA 'SA' CURB GULLY PITS			
TYPICAL DETAILS			
DRAWN BY: G.J.F.	APPROVED: P. MOULTON	DRG NO: AP-SD-C-021	REV: 0