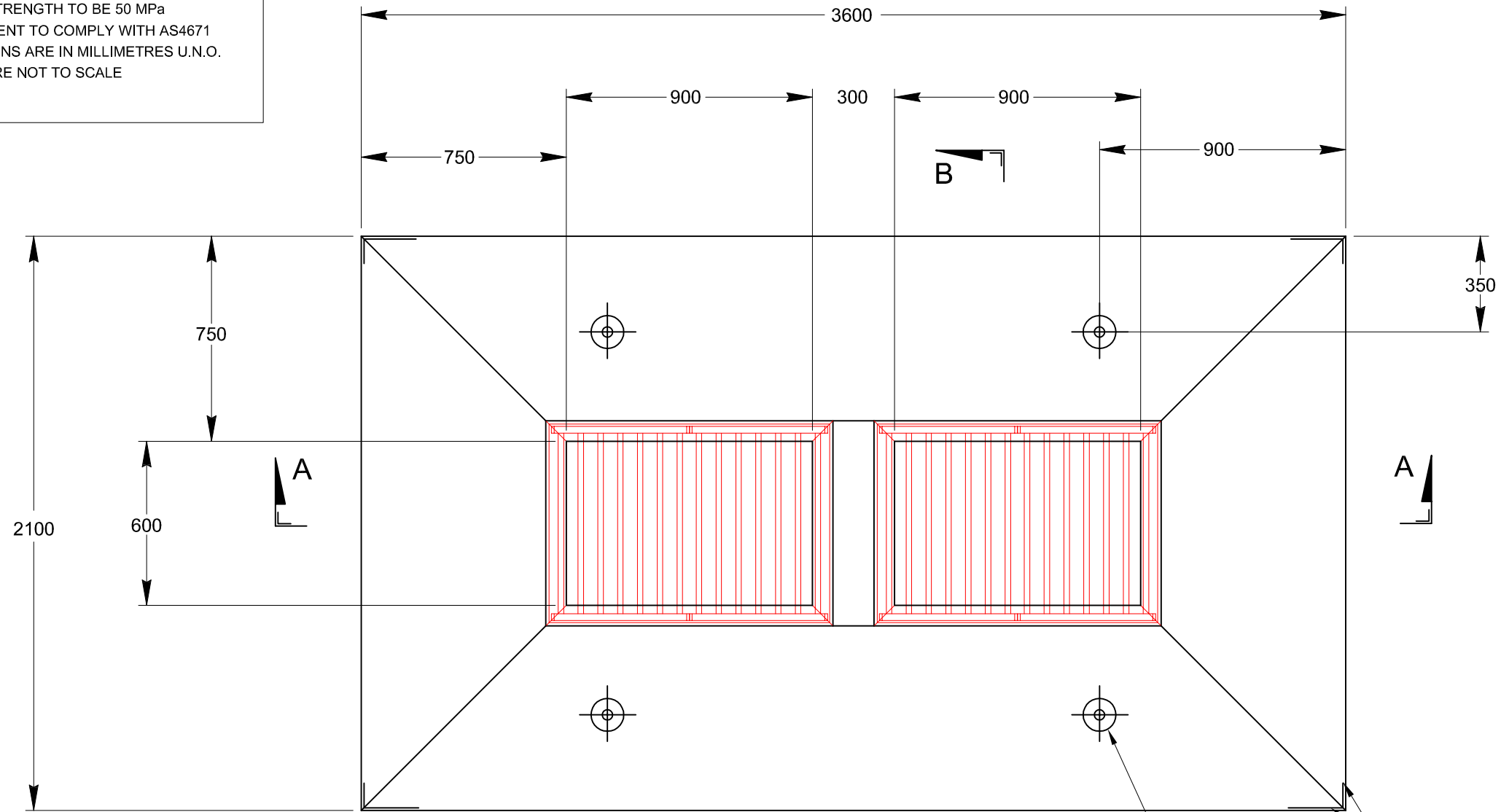
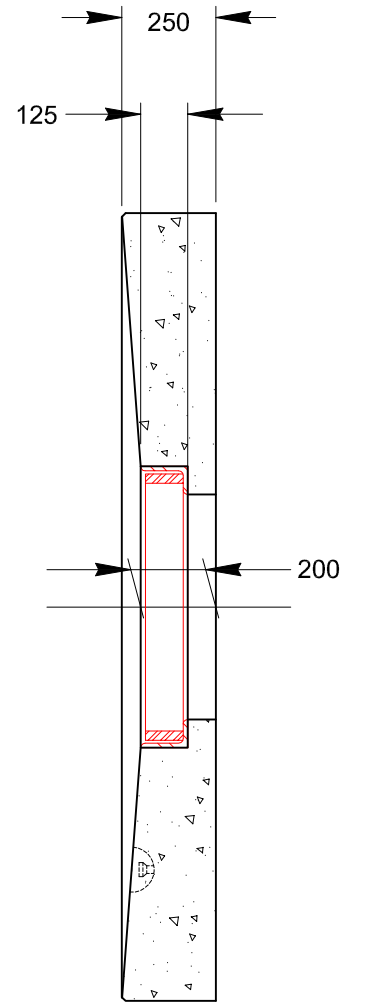


NOTES

1. CONCRETE STRENGTH TO BE 50 MPa
2. REINFORCEMENT TO COMPLY WITH AS4671
3. ALL DIMENSIONS ARE IN MILLIMETRES U.N.O.
4. DRAWINGS ARE NOT TO SCALE



PLAN VIEW

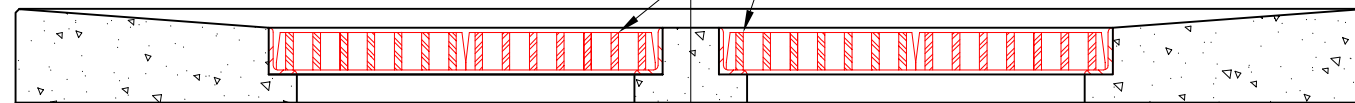


SECTION B-B

CHAMFER EDGES ALL AROUND

5.0 TONNE MUSHROOM HEAD 'SWIFTLIFT' ANCHOR. CAST INTO APRON (4) PLCS

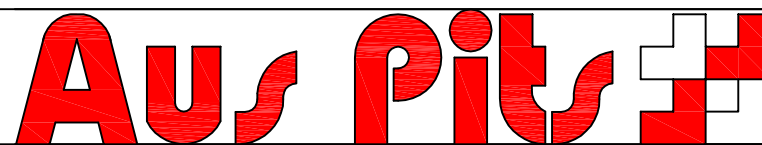
CAST IN (2) FIELD INLET TYPE 1 GRATE & FRAME INTO APRON



SECTION A-A

DWG. DO NOT SCALE

REVISION	DATE	DETAILS	INITIALS
	NOV 09	INITIAL DESIGN	



STANDARD DRAWING			
APRON TO SUIT DOUBLE FIELD INLET PIT			
TYPICAL DETAILS			
DRAWN BY: G.J.F.	APPROVED BY: P. MOULTON	DRG NO: AP-SD-C-019	REV: 0