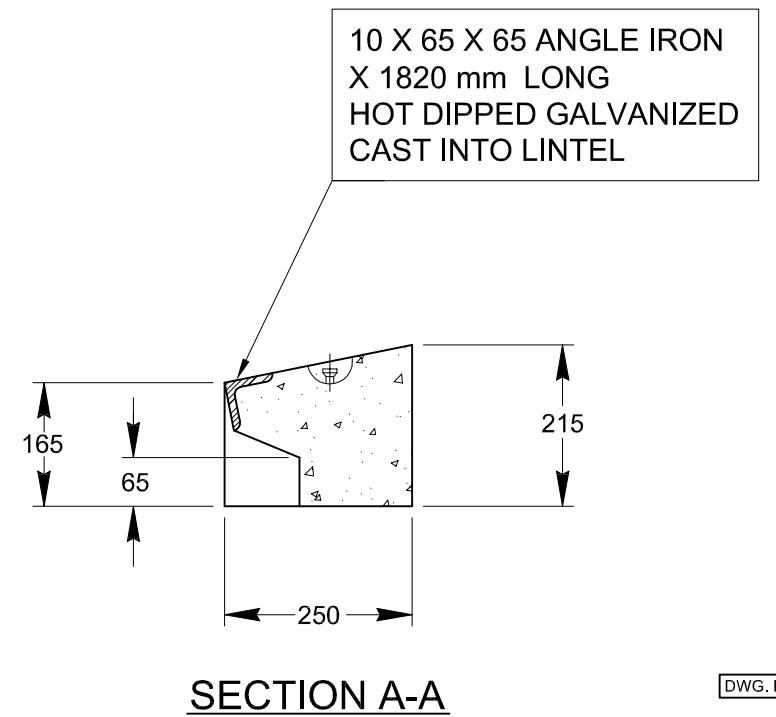
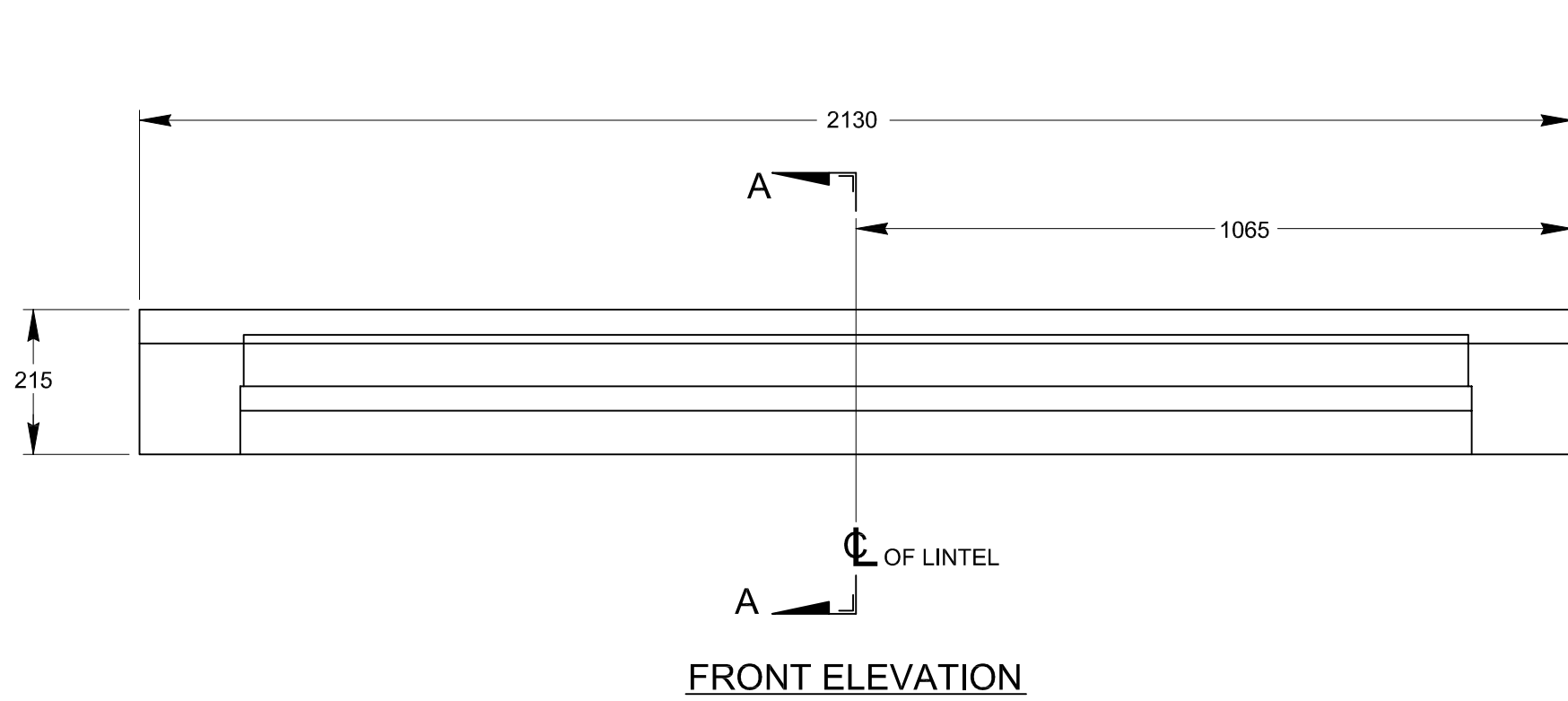
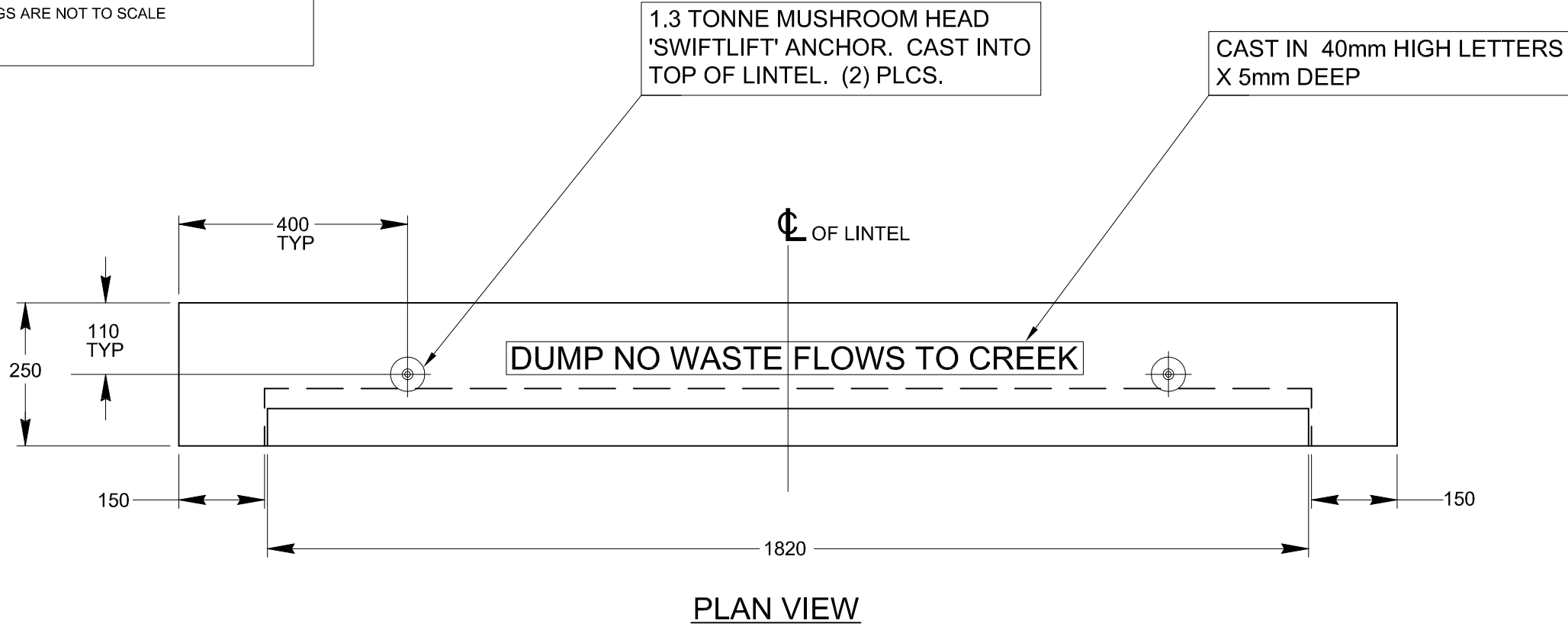


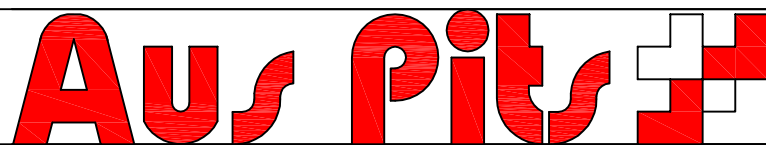
**NOTES**

1. CONCRETE STRENGTH TO BE 40 MPa
2. REINFORCEMENT TO COMPLY WITH AS4671
3. ALL DIMENSIONS ARE IN MILLIMETRES U.N.O.
4. DRAWINGS ARE NOT TO SCALE



DWG. DO NOT SCALE

REVISION	DATE	DETAILS	INITIALS
	NOV 09	INITIAL DESIGN	



STANDARD DRAWING			
TYPE 28 CONCRETE BARRIER LINTEL TO SUIT QDMR TYPICAL DETAILS			
DRAWN BY: G.J.F.	APPROVED BY: P. MOULTON	DRG NO: AP-SD-C-017	REV: 0