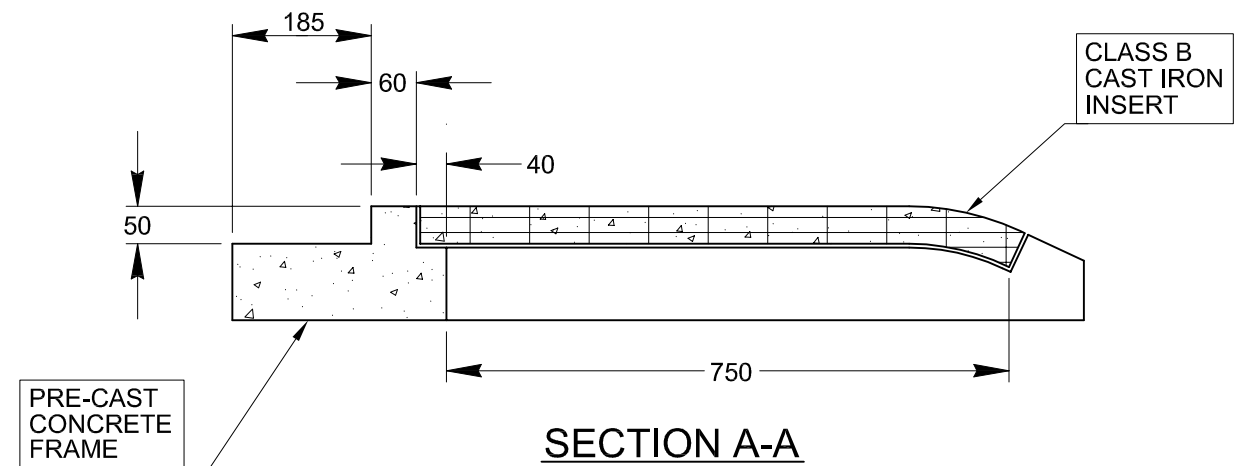
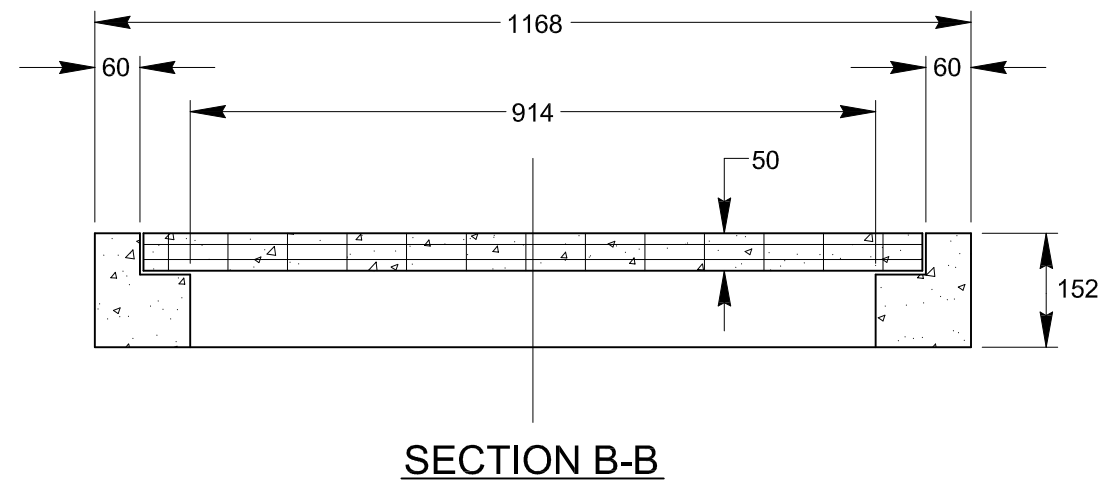
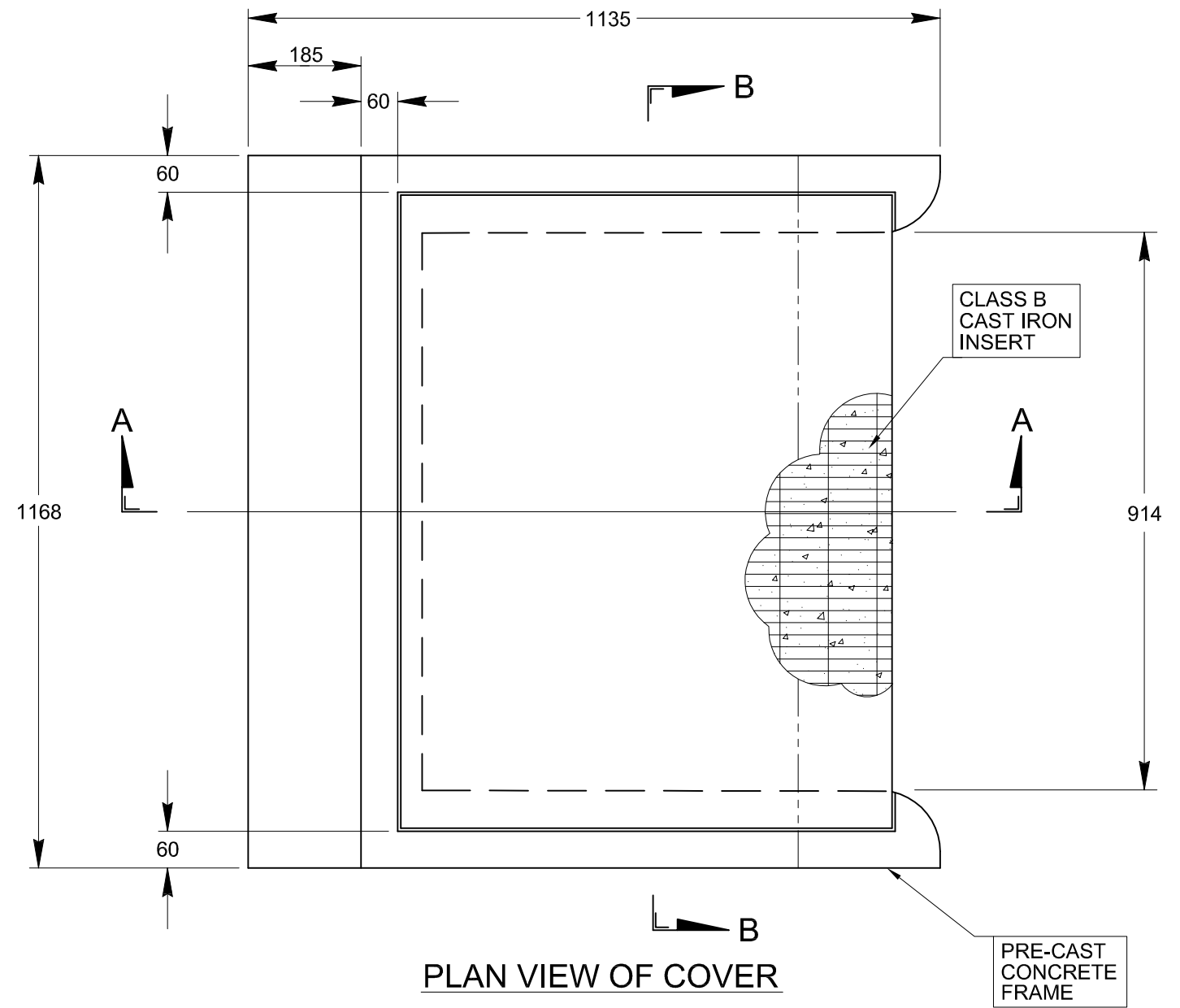


NOTES

1. CONCRETE STRENGTH TO BE 40 MPa
2. REINFORCEMENT TO COMPLY WITH AS4671 & AUS PITS COMPUTATIONS
3. ALL DIMENSIONS ARE IN MILLIMETRES U.N.O.
4. FOR DETAILS ON PIT CONNECTION, PLEASE REFER TO AUS PITS DRWG. NO. AP-SD-SW-017



DWG. SCALE 1:10

REVISION	DATE	DETAILS	INITIALS
	JUL 09	INITIAL DESIGN	

Aus Pits

STANDARD DRAWING			
ROLL OVER SIDE ENTRY COVER & SURROUND WITH CAST IRON INSERT - TYPICAL DETAILS			
DRAWN BY: G.J.F.	APPROVED BY: P. MOULTON	DRG NO. AP-SD-C-013	REV: 0