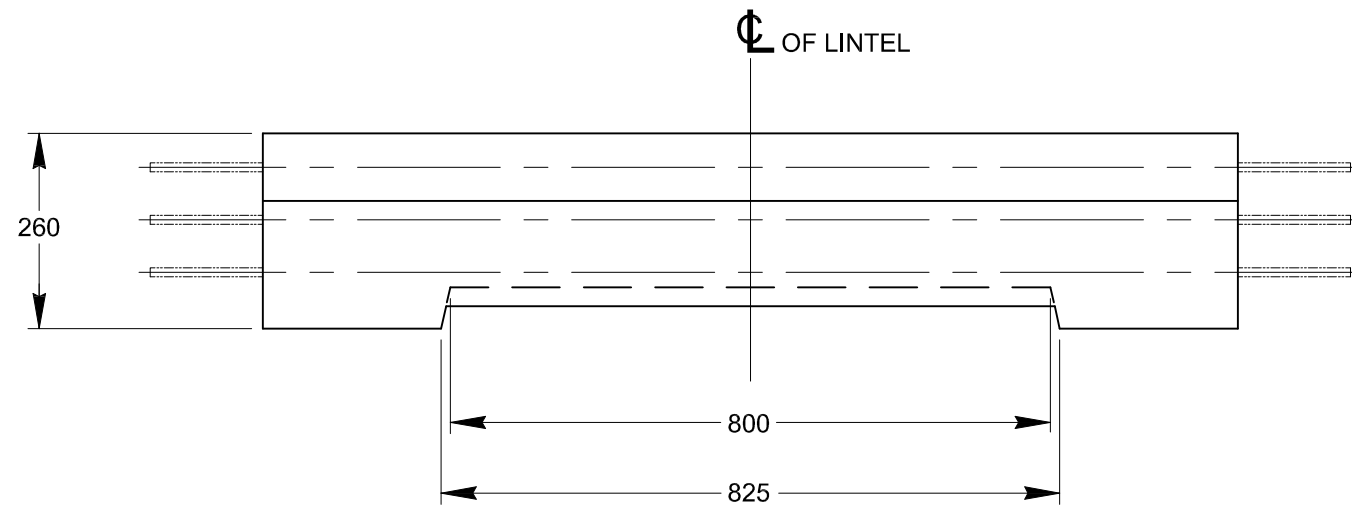
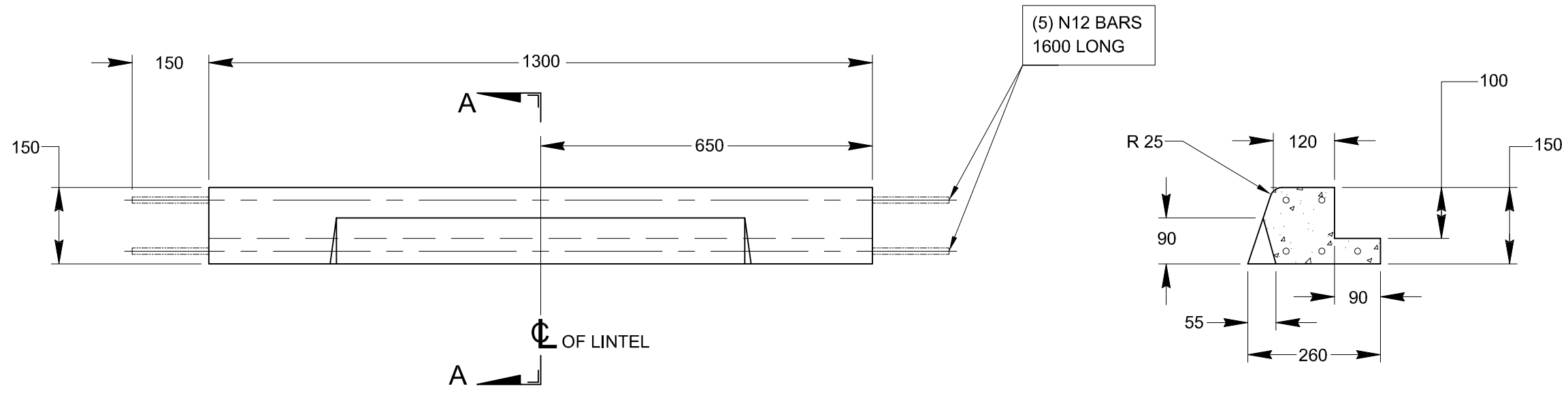


# NOTES

1. CONCRETE STRENGTH TO BE 40 MPa
2. REINFORCEMENT TO COMPLY WITH AS4671
3. ALL DIMENSIONS ARE IN MILLIMETRES U.N.O.
4. DRAWINGS ARE NOT TO SCALE



PLAN VIEW



FRONT ELEVATION

SECTION A-A

DWG. DO NOT SCALE

REVISION	DATE	DETAILS	INITIALS
	JUL 09	INITIAL DESIGN	

# Aus Pits

STANDARD DRAWING			
SIDE ENTRY PIT - CONCRETE BARRIER LINTEL			
TYPICAL DETAILS			
DRAWN BY: G.J.F.	APPROVED BY: P. MOULTON	DRG NO: AP-SD-C-011	REV: 0