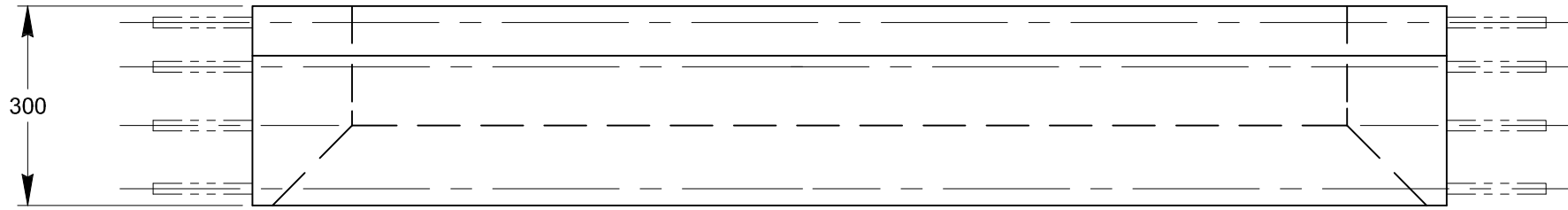
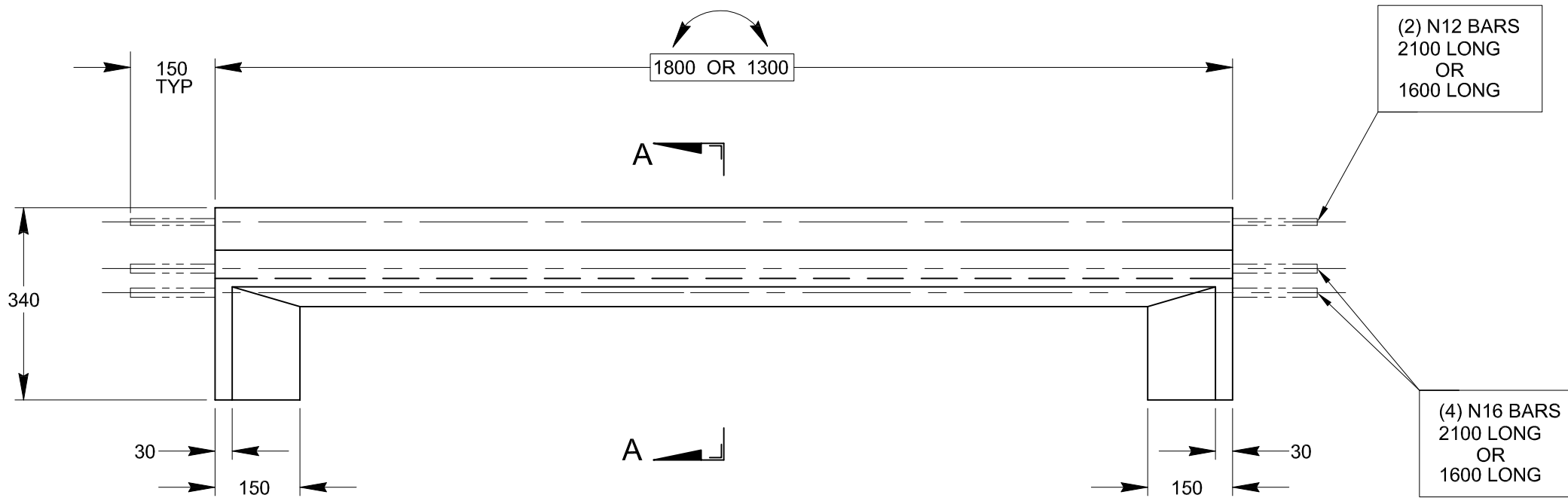


NOTES

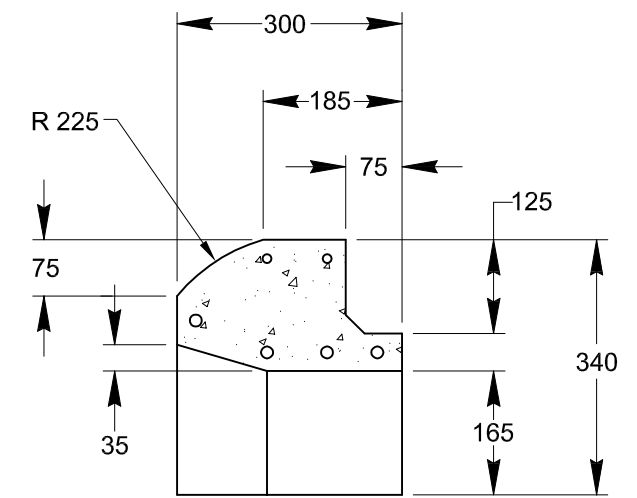
1. CONCRETE STRENGTH TO BE 40 MPa
2. REINFORCEMENT TO COMPLY WITH AS4671
3. ALL DIMENSIONS ARE IN MILLIMETRES U.N.O.
4. DRAWINGS ARE NOT TO SCALE



PLAN VIEW



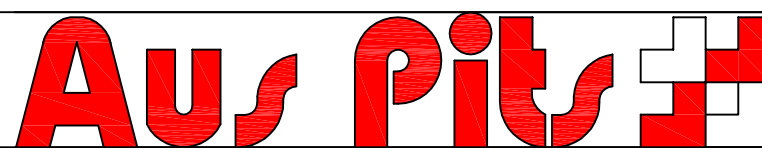
FRONT ELEVATION



SECTION A-A

DWG. NOT TO SCALE

REVISION	DATE	DETAILS	INITIALS
	JUL 09	INITIAL DESIGN	



STANDARD DRAWING			
SIDE ENTRY PIT 'SM' TYPE LINTEL TO SUIT			
VICROADS SD 1061 - TYPICAL DETAILS			
DRAWN BY: G.J.F.	APPROVED BY: P. MOULTON	DRG NO: AP-SD-C-008	REV: 0