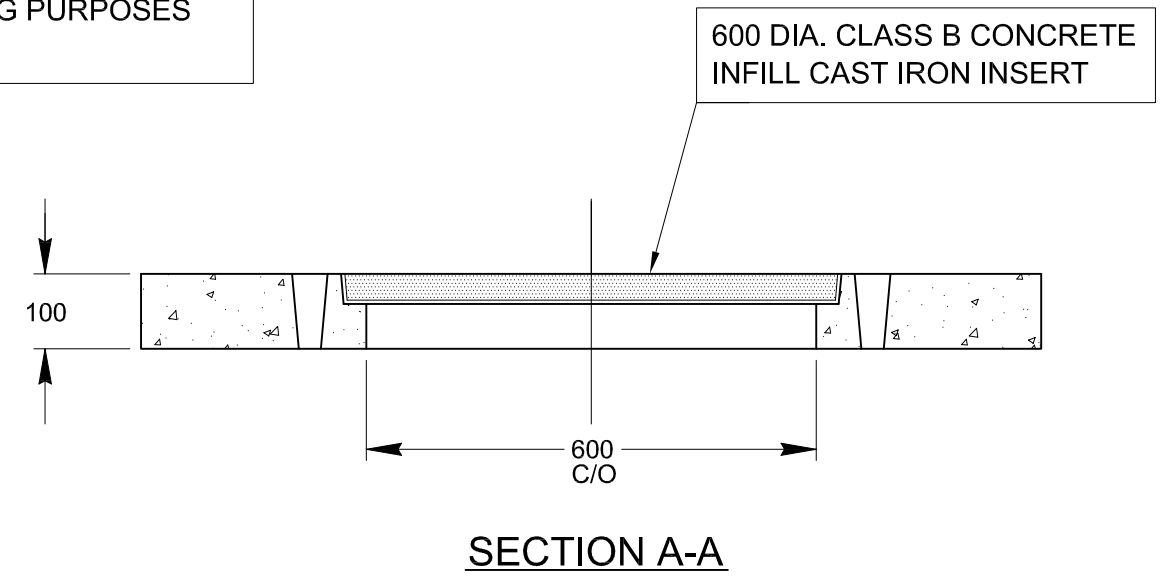
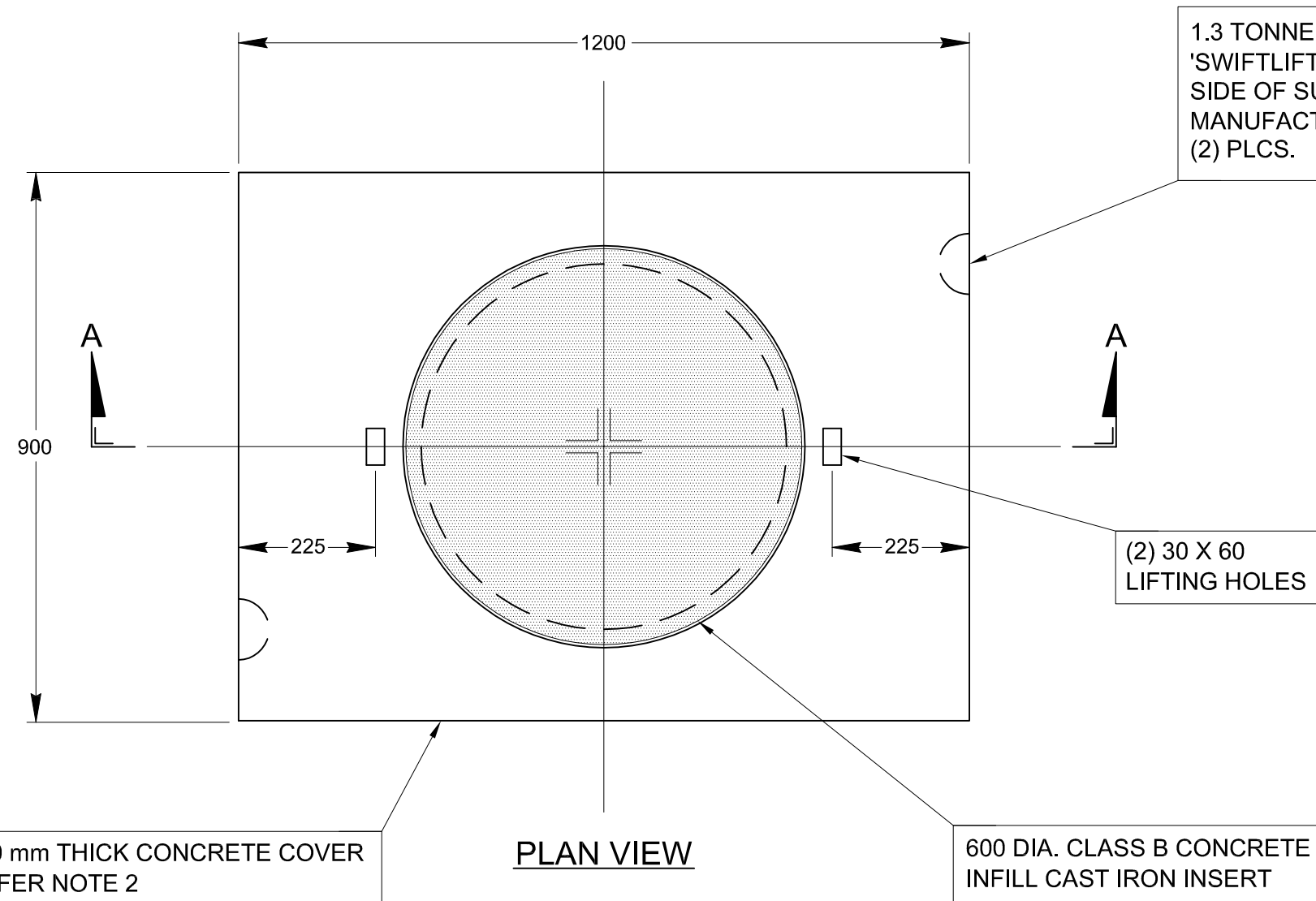


NOTES

1. CONCRETE STRENGTH TO BE 40 MPa
2. CONCRETE COVER TO BE COMPLIANT TO CLASS B AS PER AS3996
3. REINFORCEMENT TO COMPLY WITH AS4671 & AUS PITS COMPUTATIONS
4. ALL DIMENSIONS ARE IN MILLIMETRES U.N.O.



DWG. SCALE 1:10

REVISION	DATE	DETAILS	INITIALS
	AUG 09	INITIAL DESIGN	

Aus Pits

STANDARD DRAWING			
900 X 1200 MANHOLE COVER			
TO SUIT BRIMBANK CITY COUNCIL TYPICAL DETAILS			
DRAWN BY: G.J.F.	APPROVED BY: P. MOULTON	DRG NO. AP-SD-C-006	REV: 0