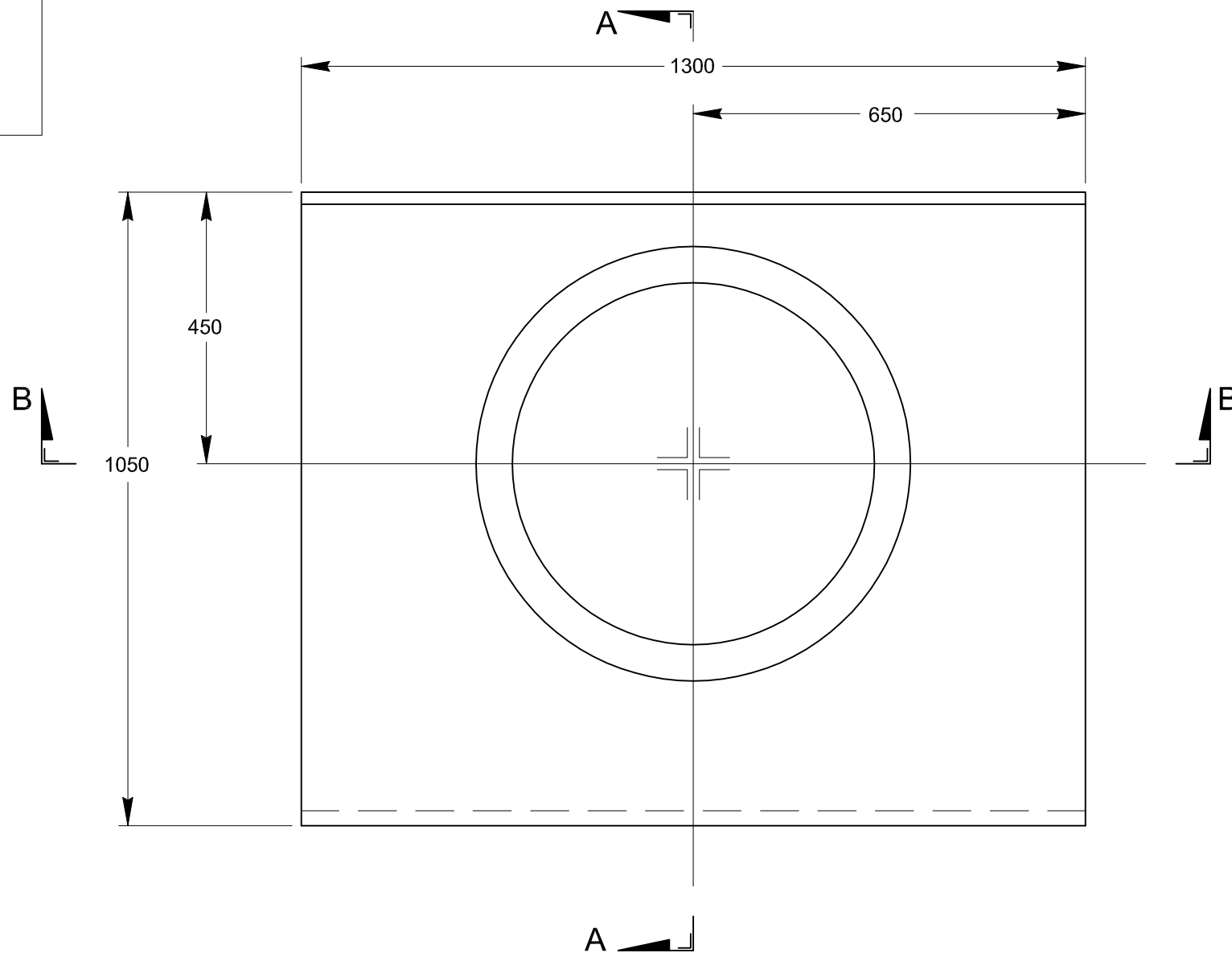
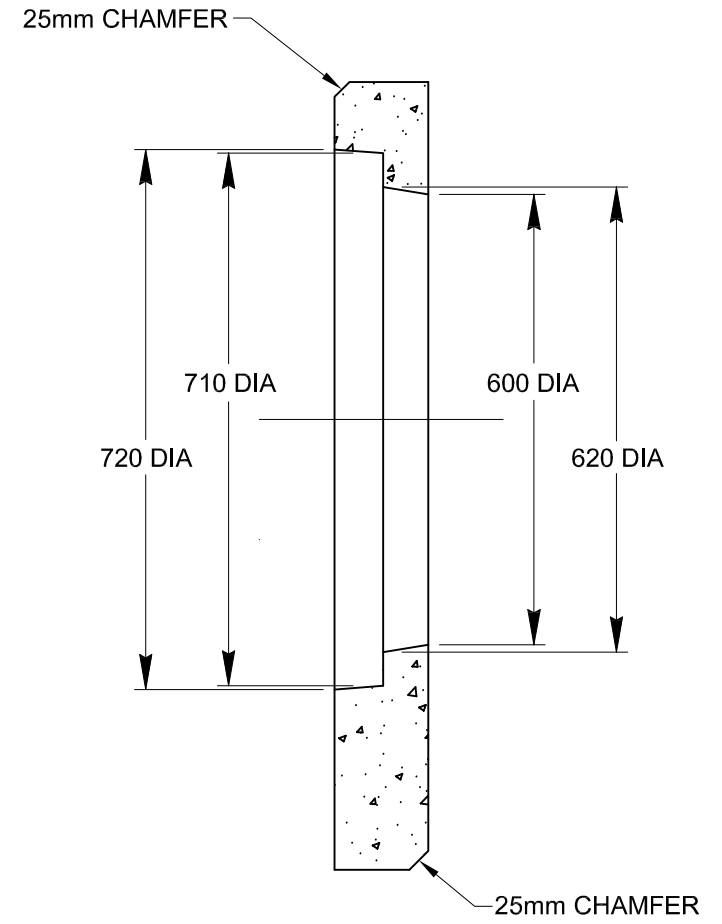


NOTES

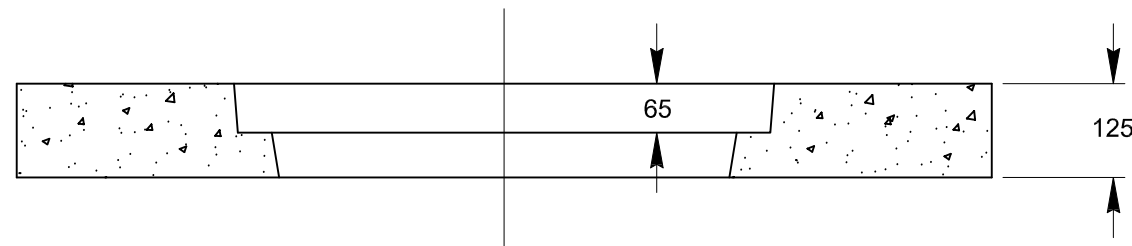
1. CONCRETE STRENGTH TO BE 40 MPa
2. REINFORCEMENT TO COMPLY WITH AS4671
3. ALL DIMENSIONS ARE IN MILLIMETRES U.N.O.
4. DRAWINGS ARE NOT TO SCALE



PLAN VIEW OF TYPE M3 ACCESS COVER



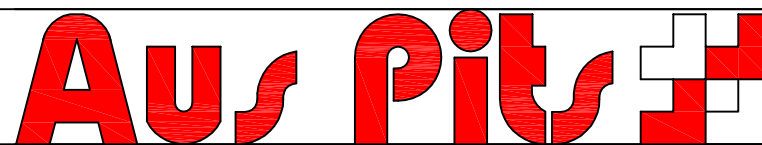
SECTION A-A



SECTION B-B

DWG. NOT TO SCALE

REVISION	DATE	DETAILS	INITIALS
	JUL 09	INITIAL DESIGN	



STANDARD DRAWING			
SIDE ENTRY PIT ACCESS COVER TYPE M3 TO SUIT VICROADS SD 1051- TYPICAL DETAILS			
DRAWN BY: G.J.F.	APPROVED BY: P. MOULTON	DRG NO: AP-SD-C-004	REV: 0