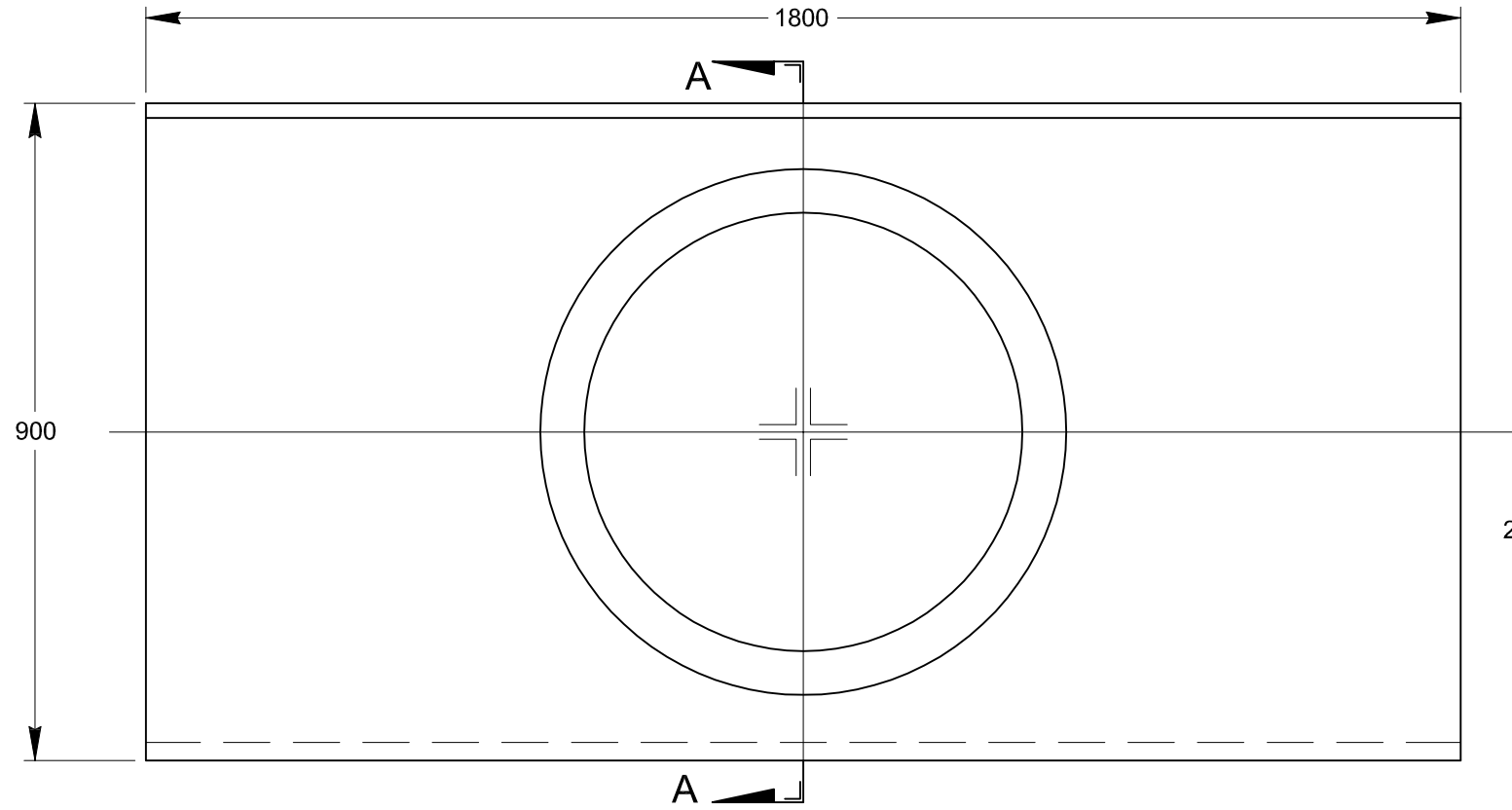
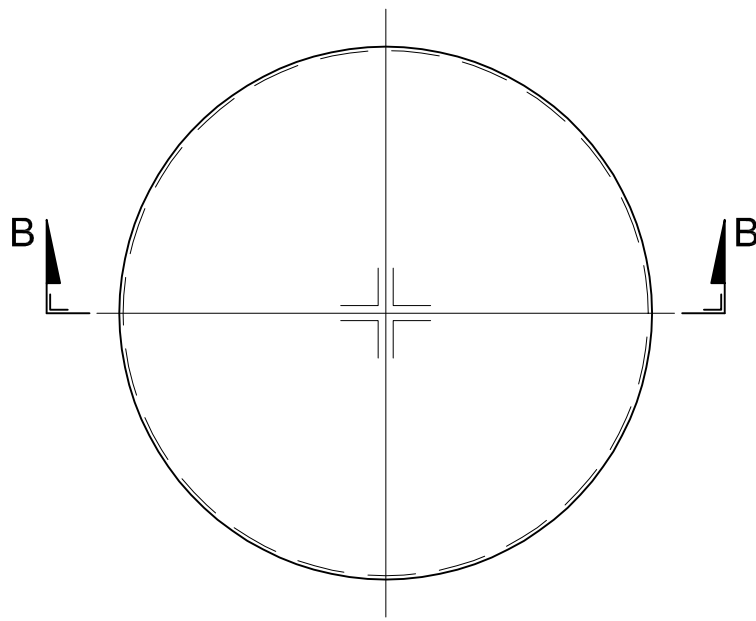


**NOTES**

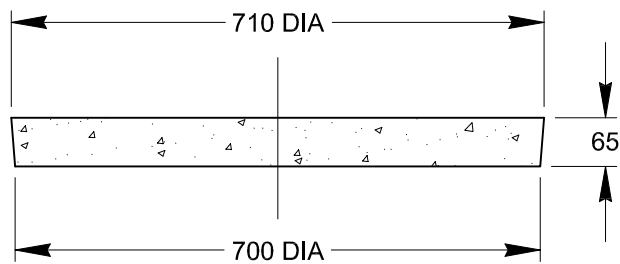
1. CONCRETE STRENGTH TO BE 40 MPa
2. REINFORCEMENT TO COMPLY WITH AS4671
3. ALL DIMENSIONS ARE IN MILLIMETRES U.N.O.
4. DRAWINGS ARE NOT TO SCALE



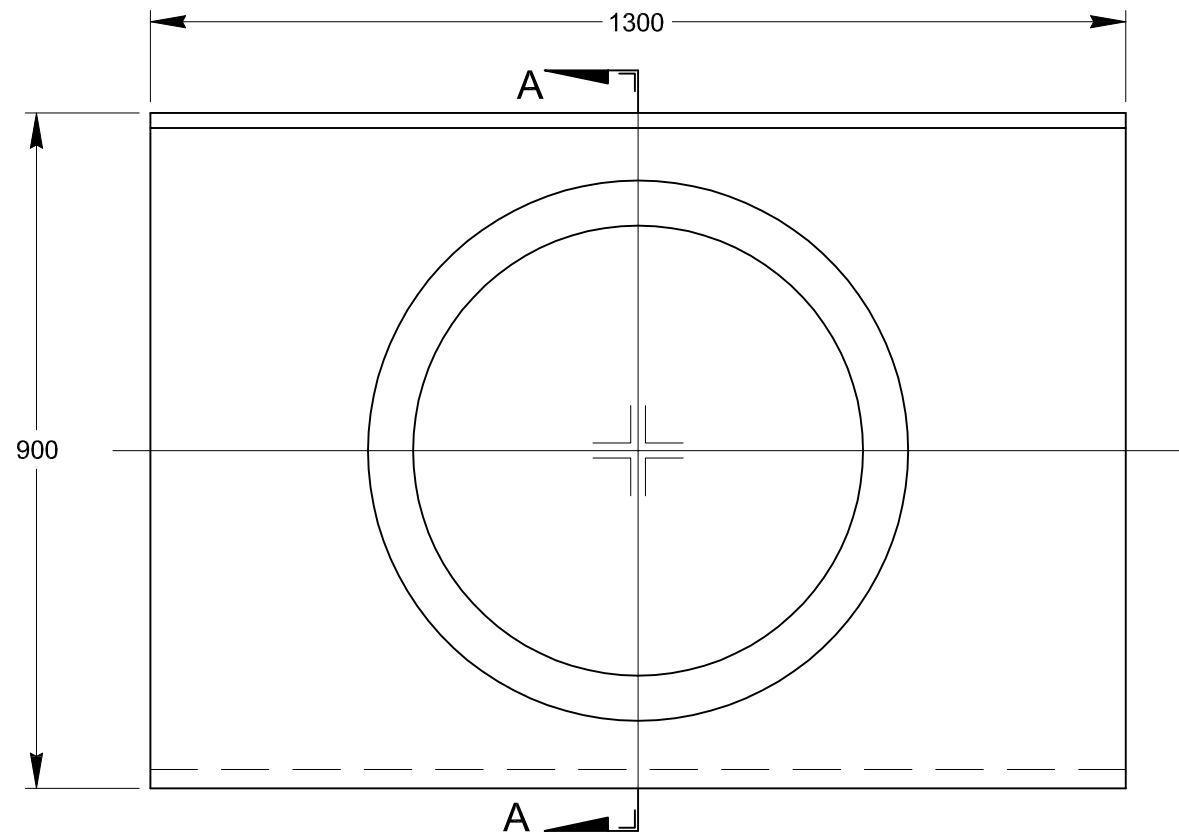
**PLAN VIEW OF TYPE M1 ACCESS COVER**



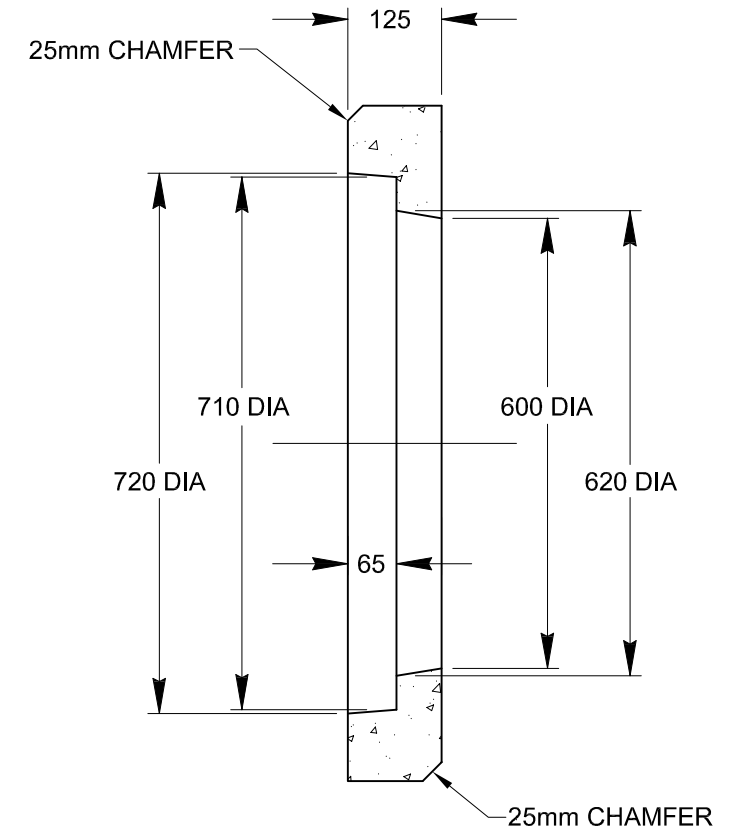
**PLAN VIEW OF LID**



**SECTION B-B**



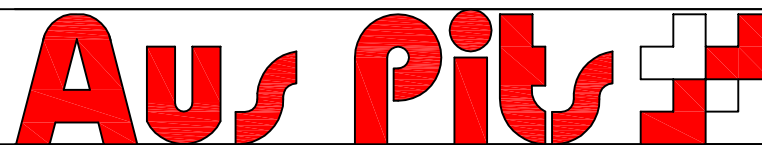
**PLAN VIEW OF TYPE M2 ACCESS COVER**



**SECTION A-A**

DWG. NOT TO SCALE

REVISION	DATE	DETAILS	INITIALS
	JUL 09	INITIAL DESIGN	



STANDARD DRAWING			
SIDE ENTRY PIT ACCESS COVERS & LID TO SUIT VICROADS SD 1051- TYPICAL DETAILS			
DRAWN BY: G.J.F.	APPROVED BY: P. MOULTON	DRG NO: AP-SD-C-003	REV: 0