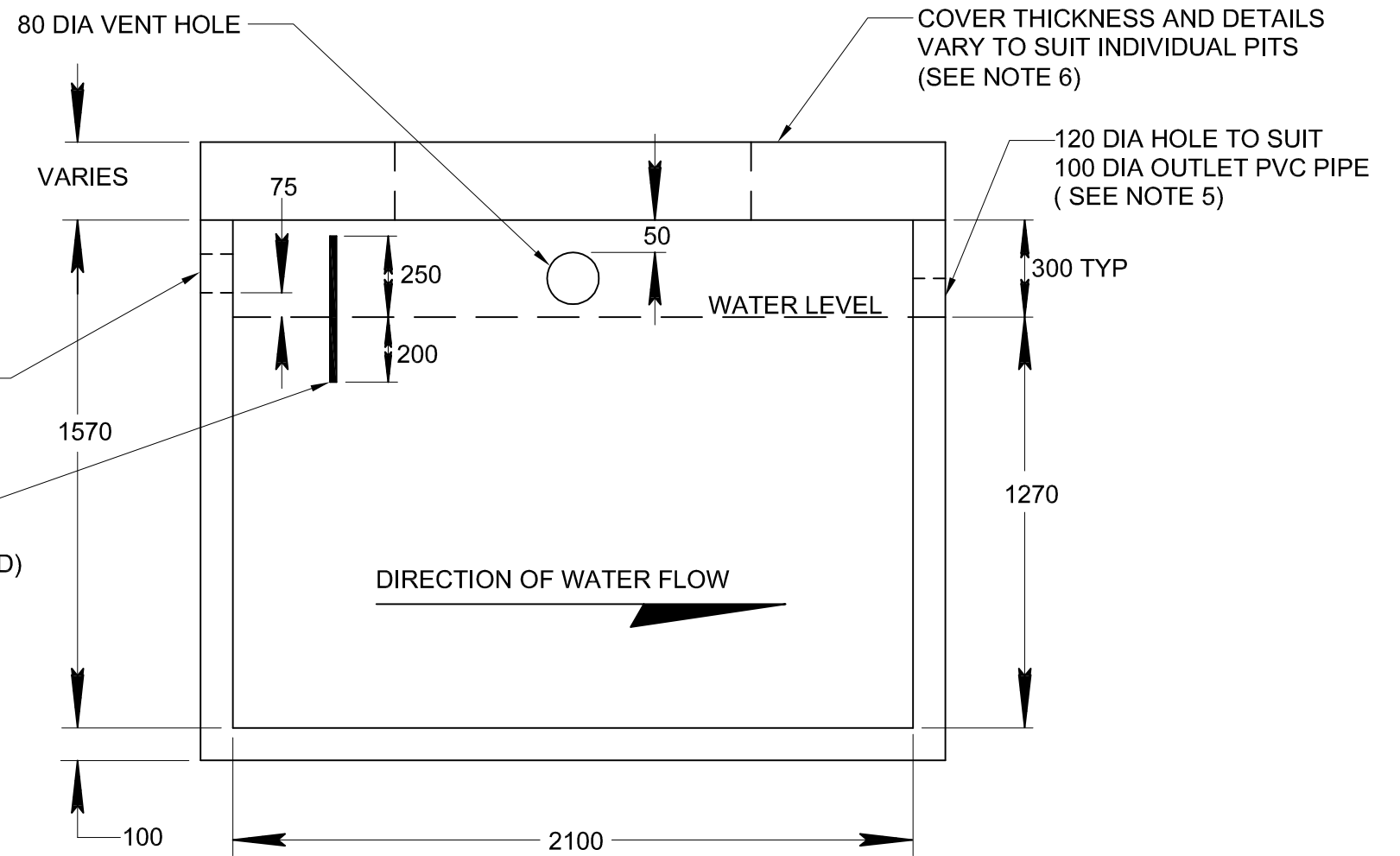


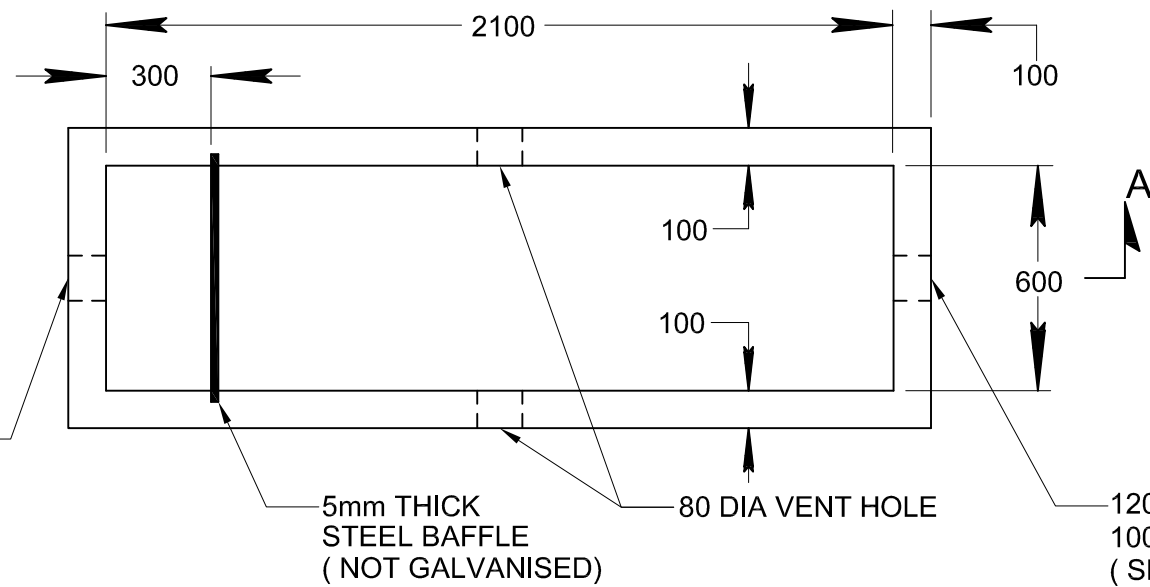
NOTES

1. CONCRETE STRENGTH TO BE 50MPa MINIMUM
2. REINFORCEMENT IN ACCORDANCE WITH AUS PITS COMPUTATIONS
3. REINFORCEMENT IN ACCORDANCE WITH AS4671
4. ALL DIMENSIONS ARE IN MILLIMETRES U.N.O.
5. INTERNAL PIPEWORK NOT PROVIDED. TO BE SUPPLIED BY OTHERS
6. COVER DETAILS WILL VARY TO SUIT PROJECT REQUIREMENTS SUCH AS CLASS OF COVER REQUIRED, REQUIREMENT FOR INSPECTION OPENING ETC. FOR MORE INFORMATION ON COVER TYPES AVAILABLE PLEASE CONTACT AUS PITS PH. (03) 5222 4526



DIRECTION OF WATER FLOW

SECTION A-A

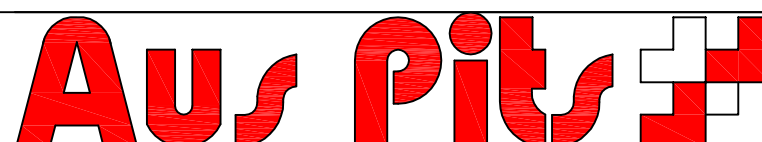


PLAN VIEW

NB: COVER NOT SHOWN FOR CLARITY

DWG. SCALE 1:20

REVISION	DATE	DETAILS	INITIALS



STANDARD DRAWING			
1600L GREASE INTERCEPTOR STANDARD DETAILS			
DRAWN BY: G.J.F.	APPROVED: P. MOULTON	DRG NO: AP-GIT-1600	REV: 0